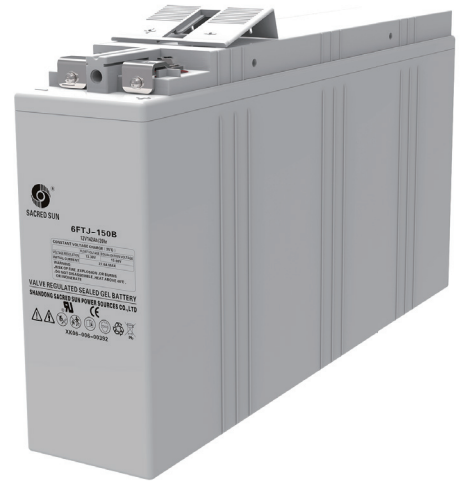


FTJ Series

6FTJ-150B 12V142Ah

FTJ VRLA front terminal flat plate gel battery has good heat dissipation and floating standby performance. Its specially designed gas gathering and exhaust system effectively ensures security of the system. FTJ series is designed especially for 19" and 23" power supply cabinets mainly used in small outdoor base stations. It is suitable for harsh environment of high-low temperature and poor grid conditions.



Benefits

- Long life according to EUROBAT Classification
- High discharge performance
- High gas recombination efficiency
- Maximum charge efficiency
- GEL state electrolyte prevents leakage and layering
- Low resistance PVC-SiO₂ micro-porous separator ensure Low self-discharge rate
- Easy installation and handling
- Centralized venting system

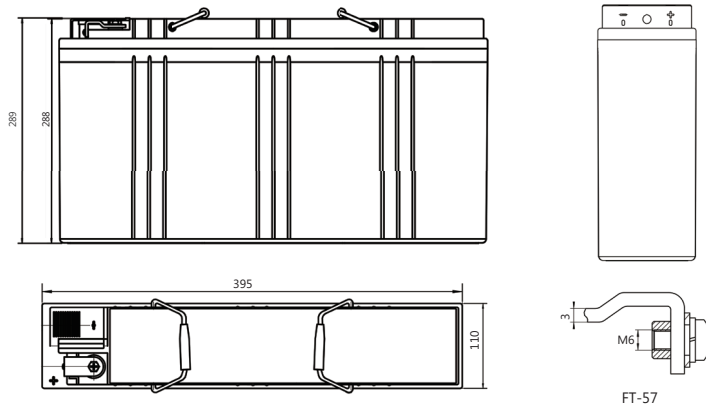
Applications

- Telecommunications
- Power system
- UPS
- Emergency power

Standards

- IEC 60896-21/22
- DIN43539-T5
- EUROBAT guide

Drawing



Specifications

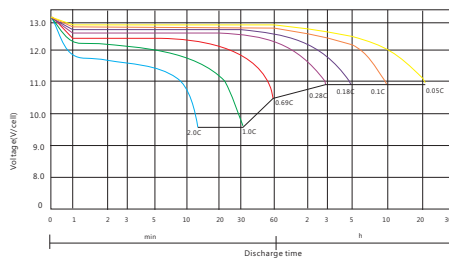
Battery Model	6FTJ-150B			
Design Life (years, 25°C)	12			
Capacity (Ah, 25°C)	20HR (7.1A, 1.75V)	10HR (13.5A, 1.80V)	5HR (23.0A, 1.80V)	1HR(67.5A, 1.80V)
	142	135	115	67.5
Dimensions (mm)	Length	Width	Height	Total Height
	551	110	288	288
Approx. Weight (kg)	45.0			
Reference Internal Resistance (mΩ)	4.33 (fully charged @ 25°C)			
Maximum Discharge Current (A/3 Sec.)	1196			
Self-Discharge (25°C)	≤ 2% per month			
Charge Voltage (V/cell, 25°C)	Cycle use		Float use	
	2.33 (-3.5mV/°C/cell), max charge current: 27A		2.22 (-3.5mV/°C/cell)	
Short Circuit Current (A)	2700			

Discharge Data

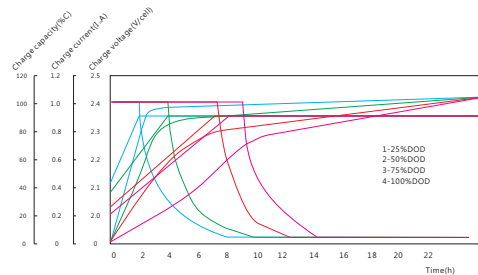
Constant Current Discharge Data (25°C, A)													
End Voltage (V/cell)	min						h						
	5	10	15	20	30	45	1	1.5	2	3	5	10	20
1.60	385	281	218	183	133	94.5	73.0	60.7	46.5	34.0	26.1	14.0	7.19
1.65	365	270	215	180	132	92	71.5	59.8	46.5	34.0	25.5	13.9	7.16
1.70	343	256	210	176	130	90.4	69.0	59.0	46.5	34.0	24.7	13.9	7.13
1.75	318	238	203	169	127	89.2	68.5	58.0	46.5	33.9	23.5	13.7	7.10
1.80	272	217	190	158	120	86.5	67.5	56.3	45.1	33.75	23.0	13.5	6.8

Constant Power Discharge Data (25°C, W/cell)													
End Voltage (V/cell)	min						h						
	5	10	15	20	30	45	1	1.5	2	3	5	10	20
1.60	679	509	399	335	251	189	145	112	87.8	63.7	43.1	25.7	13.6
1.65	631	490	390	331	249	187	142	112	87.8	63.7	43.1	25.2	13.6
1.70	577	462	377	325	246	184	142	111	87.8	63.7	43.1	25.2	13.6
1.75	532	428	366	312	240	180	139	110	87.8	63.7	43.1	25.1	13.6
1.80	495	391	349	292	229	175	137	107	85.5	62.0	40.8	24.6	13.3

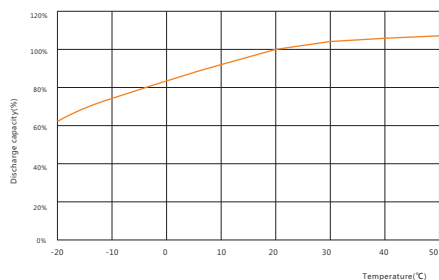
Performance Curve



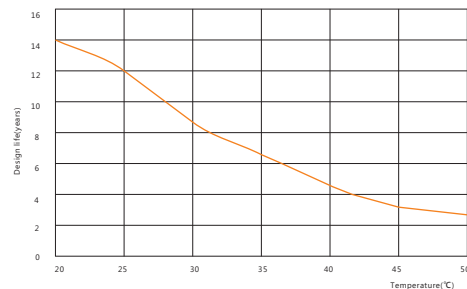
Discharge voltage vs. discharge time



Charge capacity vs. charge time



Discharge capacity vs. temperature



Design life vs. temperature

Sacred Sun Power Sources Co., Ltd.

No.1 Shengyang Road Qufu City, PRC
sales@sacredsun.cn

Sacred Sun Asia Pacific

No. 15, Yishun Industrial Street 1,
#01-17, WIN5, Singapore 768091
sales.asia@sacredsun.cn

Sacred Sun Europe SPRL

Schoenstraat 96-9140 Temse, Belgium
sales.eu@sacredsun.cn

Sacred Sun MEA FZE

S10122A1019 Jebel Ali, Dubai,
United Arab Emirates
sales.mea@sacredsun.cn

