

GFM Series

GFM-500 2V500Ah

GFM series VRLA battery is a robust AGM battery designed for telecom, energy storage and UPS applications. Sacred Sun has got more than 10 years high volume manufacturing experience. Its excellent performance make it an impressive product in China and overseas market.



Benefits

- Very long life according to EUROBAT Classification
- High discharge performance
- 99%+ gas recombination efficiency
- Maximum charge efficiency
- Low self-discharge rate
- Easy installation and handling

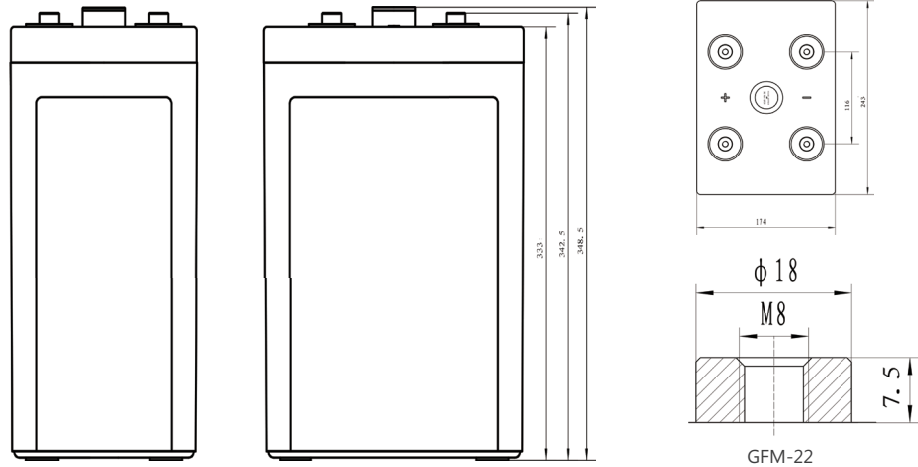
Applications

- Telecommunications
- Power system
- Renewable energy
- UPS
- Emergency power

Standards

- IEC 60896-21/22
- JIS C8704-1/2
- EUROBAT guide

Drawing



Specifications

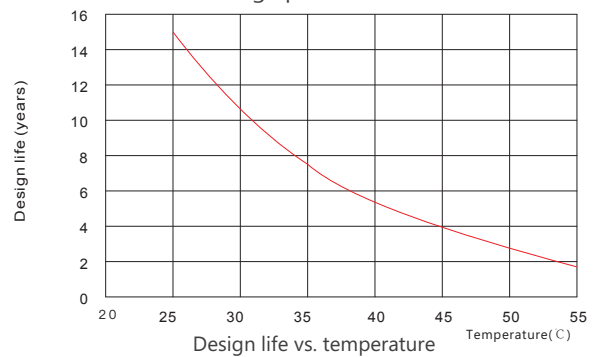
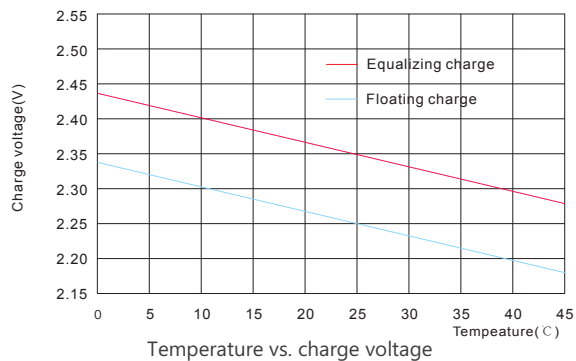
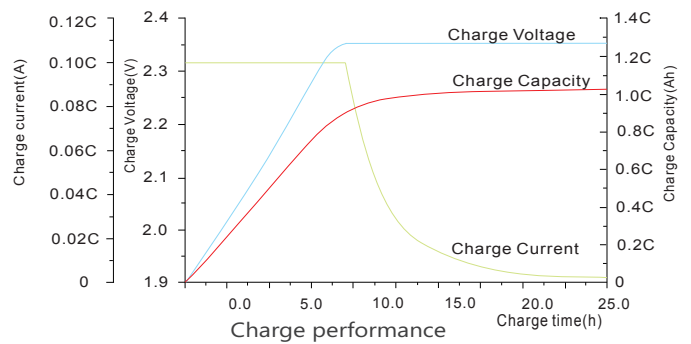
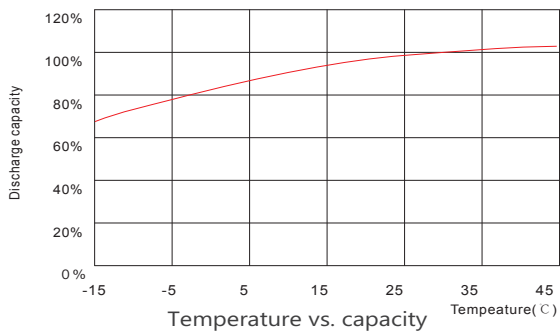
Battery Model	GFM-500			
Design Life (years, 25°C)	15			
Capacity (Ah, 25°C)	10HR (50A, 1.80V)	5HR (85.4A, 1.80V)	3HR (126A, 1.80V)	1HR (276A, 1.75V)
	500	427	378	276
Dimensions (mm)	Length	Width	Height	Total Height
	243	174	333	348.5
Approx. Weight (kg)	33.2			
Reference Internal Resistance (mΩ)	0.303 (fully charged @ 25°C)			
Maximum Discharge Current (A/5 Sec.)	2600			
Self-Discharge (25°C)	≤ 1 % per month			
Charge Voltage (V/cell, 25°C)	Cycle use		Float use	
	2.35 (-3.5mV/°C/cell), max charge current: 100A		2.25 (-3.5mV/°C/cell)	
Short Circuit Current (A)	8011			

Discharge Data

Constant Current Discharge Data (25°C, A)													
End Voltage (V/cell)	min					h							
	5	10	15	20	30	1	2	3	5	6	8	10	24
1.60	1133	868	711	601	472	296	181	134	89.6	78.0	62.0	51.8	22.2
1.65	1011	787	651	554	441	288	178	132	88.6	77.2	61.4	51.3	22.0
1.70	924	716	597	531	412	278	175	130	87.6	76.4	60.8	50.9	21.9
1.75	794	656	556	498	396	276	172	128	86.5	75.5	60.2	50.6	21.7
1.80	703	599	520	463	380	267	168	126	85.4	74.5	59.6	50.0	21.6

Constant Power Discharge Data (25°C, W/cell)													
End Voltage (V/cell)	min					h							
	5	10	15	20	30	1	2	3	5	6	8	10	24
1.60	1652	1407	1175	1021	796	520	330	245	166	146	119	100	49.3
1.65	1488	1266	1067	932	744	497	318	238	163	143	118	97.9	48.4
1.70	1315	1149	983	861	696	481	310	233	161	141	116	96.9	47.6
1.75	1158	1057	907	801	651	458	302	228	158	139	115	95.6	46.9
1.80	1073	966	833	738	612	443	294	224	155	137	113	94.6	46.4

Performance Curve



Sacred Sun Power Sources Co., Ltd.

No.1 Shengyang Road Qufu City, PRC
sales@sacredsun.cn

Sacred Sun Asia Pacific

No. 15, Yishun Industrial Street 1,
#01-17, WIN5, Singapore 768091
sales.asia@sacredsun.cn

Sacred Sun Europe SPRL

Schoenstraat 96-9140 Temse, Belgium
sales.eu@sacredsun.cn

Sacred Sun MEA FZE

S10122A1019 Jebel Ali, Dubai,
United Arab Emirates
sales.mea@sacredsun.cn

