

# GFM-C Series

## GFM-600C 2V600Ah

GFM-C series VRLA battery uses latest AGM technology, high purity raw materials and many patented technologies that ensure its long floating and cycle life, it is applicable to less frequency of power failure, and shallow discharge of depth site. It is mainly used for indoor telecommunication base station.

### Benefits

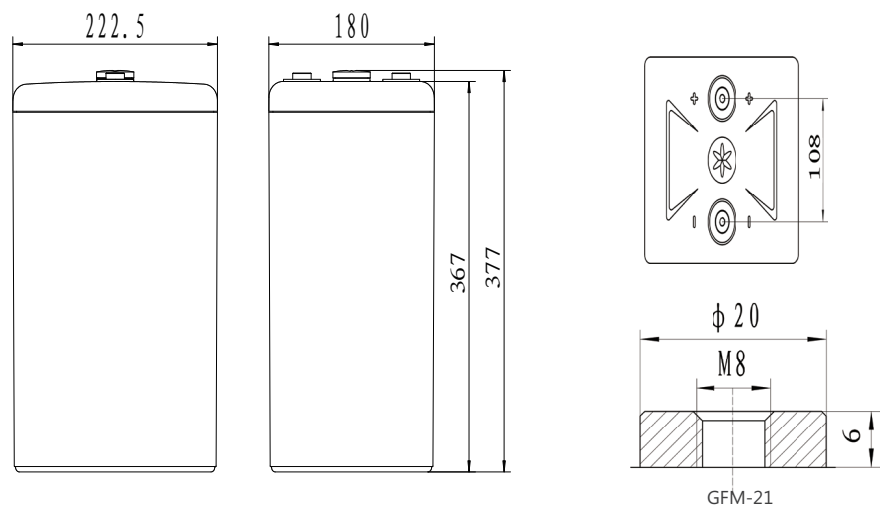
- Long life according to EUROBAT Classification
- High discharge performance
- 99%+ gas recombination efficiency
- Maximum charge efficiency
- Low self-discharge rate
- Horizontal installation



### Applications

- Telecommunications
- Power system
- UPS
- Emergency power

### Drawing



### Standards

- IEC 60896-21/22
- JIS C8704-1/2
- EUROBAT guide

### Specifications

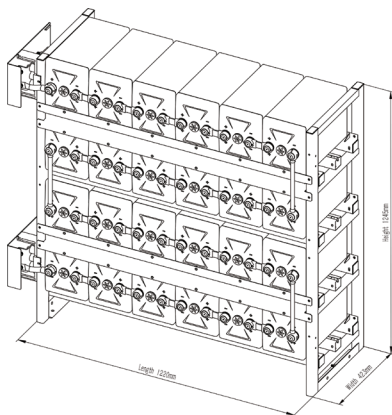
Battery Model	GFM-600C			
Design Life (years, 25°C)	15			
Capacity (Ah, 25°C)	10HR (60A, 1.80V)	5HR (102A, 1.80V)	3HR (150A, 1.80V)	1HR (330A, 1.75V)
	600	510	450	330
Dimensions (mm)	Length	Width	Height	Total Height
	225.5	180	367	377
Approx. Weight (kg)	34.5			
Reference Internal Resistance (mΩ)	0.35 ( fully charged @ 25°C)			
Maximum Discharge Current (A/5 Sec.)	2100			
Self-Discharge (25°C)	≤ 1.5% per months			
Charge Voltage (V/cell, 25°C)	Cycle use		Float use	
	2.35 (-3.5mV/°C/cell), max charge current: 90A		2.25 (-3.5mV/°C/cell)	
Short Circuit Current (A)	5600			

## Discharge Data

Constant Current Discharge Data (25°C, A)															
End Voltage (V/cell)	min							h							
	5	10	15	20	30	40	50	1	1.5	2	3	5	8	10	24
1.60	912	840	786	708	576	528	450	408	319	235	174	119	81.6	66.0	28.6
1.65	852	786	732	660	534	480	420	384	294	226	68	114	79.2	64.8	28.1
1.70	774	708	648	600	492	438	396	360	274	216	162	109	76.8	63.4	28.1
1.75	702	624	564	516	450	402	360	330	252	204	156	106	74.4	61.8	27.2
1.80	600	552	504	468	408	366	330	300	235	192	150	102	72.0	60.0	26.5

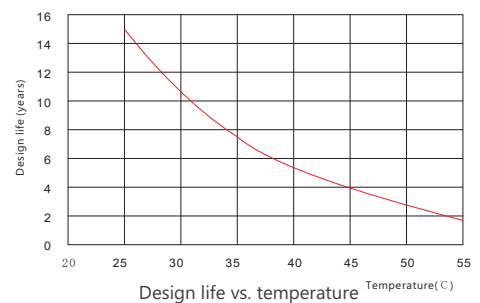
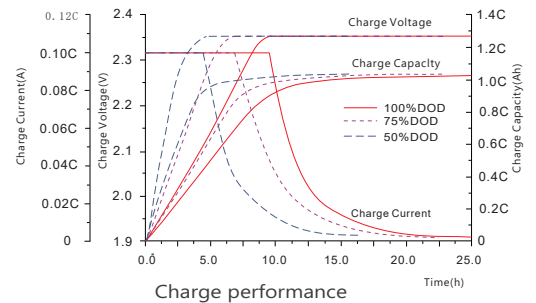
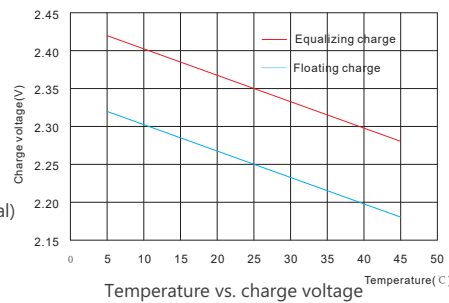
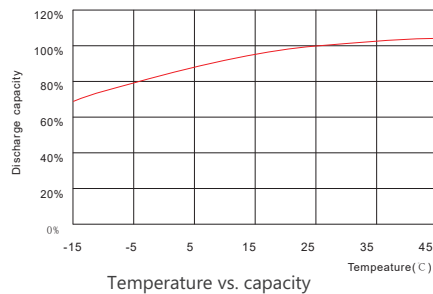
Constant Power Discharge Data (25°C, W/cell)															
End Voltage (V/cell)	min							h							
	5	10	15	20	30	40	50	1	1.5	2	3	5	8	10	24
1.60	1564	1456	1373	1242	1017	937	802	730	575	427	318	220	153	124	55.7
1.65	1492	1391	1304	1181	962	869	763	700	538	417	313	214	151	124	55.3
1.70	1383	1278	1177	1094	904	808	734	669	512	406	307	209	148	123	54.9
1.75	1280	1149	1044	959	842	756	679	624	479	390	300	205	145	121	53.7
1.80	1111	1032	947	883	774	697	630	575	452	371	291	199	141	118	52.5

## Rack Layout



48V Standard Rack (Anti-seismic rack is optional)  
 Rack material: powder-coated steel  
 Height\*width: 6\*4/4\*6 (optional)  
 Ref. GFM-600C Rack (approx. weight: 892kg)

## Performance Curve



### Sacred Sun Power Sources Co., Ltd.

No.1 Shengyang Road Qufu City, PRC  
 sales@sacredsun.cn

### Sacred Sun Asia Pacific

No. 15, Yishun Industrial Street 1,  
 #01-17, WIN5, Singapore 768091  
 sales.asia@sacredsun.cn

### Sacred Sun Europe SPRL

Schoenstraat 96-9140 Temse, Belgium  
 sales.eu@sacredsun.cn

### Sacred Sun MEA FZE

S10122A1019 Jebel Ali, Dubai,  
 United Arab Emirates  
 sales.mea@sacredsun.cn

