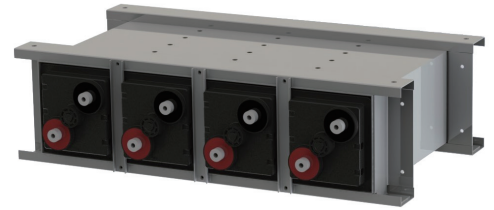


# GFM-FB Series

## GFM-500FB 2V500Ah



GFM-FB series batteries introduction of Japan's Furukawa battery advanced floating charge standby battery technology, long life design, design floating life of 15 years. It is suitable for applications of Telecom room, IDC room, Electrical DC back-up power, Petroleum and petrochemical, financial systems and other high-end standby areas.

### Benefits

- Very long life according to EUROBAT Classification
- Advanced manufacturing technology and automation equipment to ensure battery consistency
- Special structural design and technical routing to ensure battery reliability
- Modular design for different capacity combinations
- Horizontal installation, easy installation and maintenance

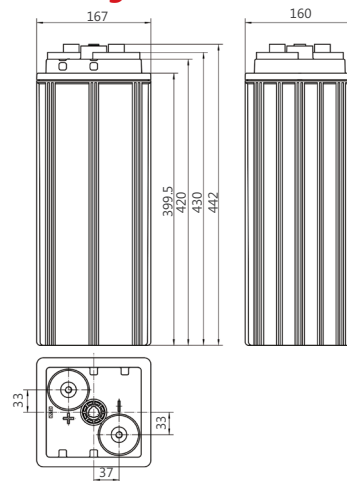
### Applications

- Telecommunications
- Power system
- UPS
- Electrical DC back-up power
- Data center

### Standards

- IEC 60896-21/22
- DL/T 637-1997
- EUROBAT guide

### Drawing



### Specifications

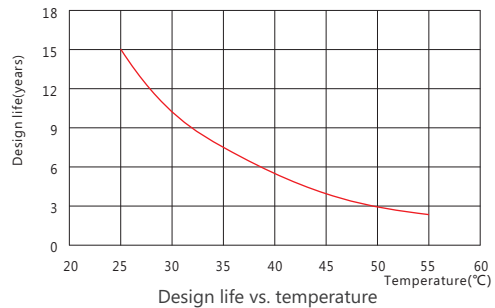
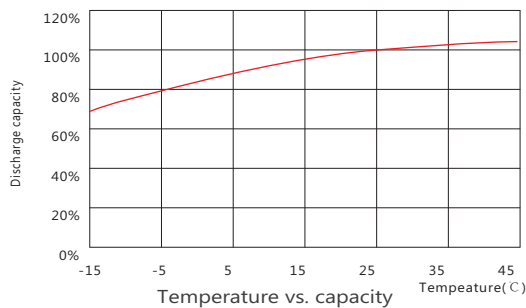
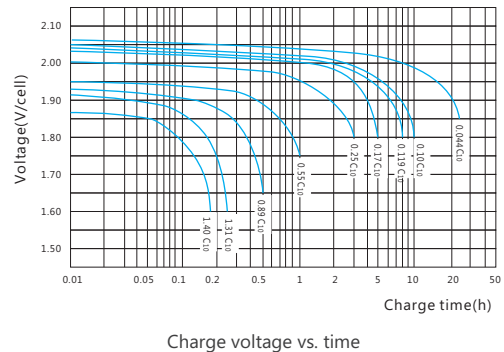
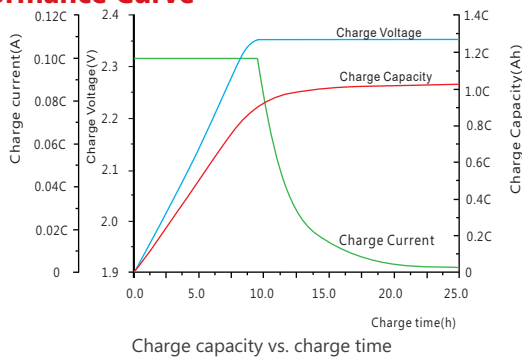
Battery Model	GFM-500FB			
Design Life (years, 25°C)	15			
Capacity (Ah, 25°C)	10HR (50.0A, 1.80V)	5HR (85.0A, 1.80V)	3HR (125A, 1.80V)	1HR(275A, 1.75V)
	500	425	375	275
Dimensions (mm)	Length	Width	Height	Total Height
	167	160	420	442
Approx. Weight (kg)	29.8			
Reference Internal Resistance (mΩ)	0.30 ( fully charged @ 25°C)			
Maximum Discharge Current (A/5 Sec.)	3000			
Self-Discharge (25°C)	≤ 1.5% per month			
Charge Voltage (V/cell, 25°C)	Cycle use		Float use	
	2.35 (-3.5mV/°C/cell), max charge current: 100A		2.25 (-3.5mV/°C/cell)	
Short Circuit Current (A)	6000			

## Discharge Data

Constant Current Discharge Data (25°C, A)													
End Voltage (V/cell)	min				h								
	30	35	40	45	1	2	3	5	8	10	12	20	24
1.60	526	485	441	402	308	194	145	96.5	67.8	55.8	46.8	29.5	24.4
1.65	500	463	422	390	300	188	142	94.5	66.3	54.8	46.0	29.2	24.2
1.70	470	438	400	375	290	181	138	92.0	64.5	53.5	45.0	28.8	24.0
1.75	433	408	375	353	275	173	132	89.0	62.5	51.8	43.8	28.2	23.7
1.80	391	375	345	326	258	163	125	85.0	60.0	50.0	42.5	27.5	23.4

Constant Power Discharge Data (25°C, W/cell)													
End Voltage (V/cell)	min				h								
	30	35	40	45	1	2	3	5	8	10	12	20	24
1.60	925	857	786	728	564	355	268	180	128	106.5	90.0	57.7	48.3
1.65	890	830	764	713	554	349	265	178	126	105.5	89.0	57.4	48.1
1.70	850	800	738	695	542	342	262	176	124	104.0	87.8	57.0	47.9
1.75	795	752	695	660	520	331	254	173	122	102.0	86.8	56.3	47.7
1.80	730	698	646	620	496	317	245	168	119	99.7	85.0	55.4	47.4

## Performance Curve



### Sacred Sun Power Sources Co., Ltd.

No.1 Shengyang Road Qufu City, PRC  
sales@sacredsun.cn

### Sacred Sun Asia Pacific

No. 15, Yishun Industrial Street 1,  
#01-17, WIN5, Singapore 768091  
sales.asia@sacredsun.cn

### Sacred Sun Europe SPRL

Schoenstraat 96-9140 Temse, Belgium  
sales.eu@sacredsun.cn

### Sacred Sun MEA FZE

S10122A1019 Jebel Ali, Dubai,  
United Arab Emirates  
sales.mea@sacredsun.cn