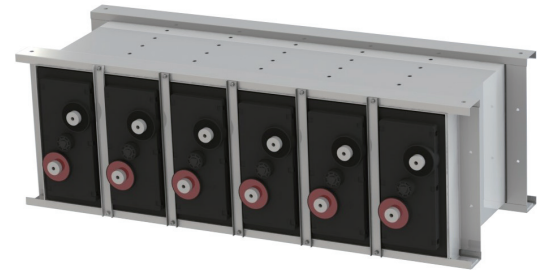


# GFM-FB Series

## GFM-800FB 2V800Ah



GFM-FB series batteries introduction of Japan's Furukawa battery advanced floating charge standby battery technology, long life design, design floating life of 15 years. It is suitable for applications of Telecom room, IDC room, Electrical DC back-up power, Petroleum and petrochemical, financial systems and other high-end standby areas.

### Benefits

- Very long life according to EUROBAT Classification
- Advanced manufacturing technology and automation equipment to ensure battery consistency
- Special structural design and technical routing to ensure battery reliability
- Modular design for different capacity combinations
- Horizontal installation, easy installation and maintenance

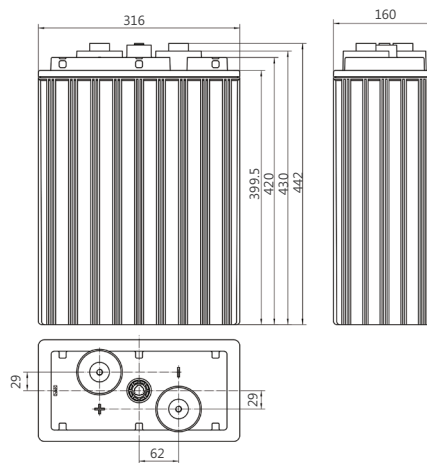
### Applications

- Telecommunications
- Power system
- UPS
- Electrical DC back-up power
- Data center

### Standards

- IEC 60896-21/22
- DL/T 637-1997
- EUROBAT guide

### Drawing



### Specifications

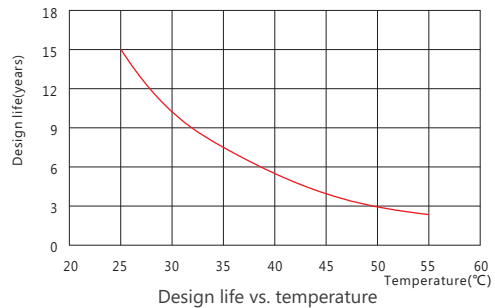
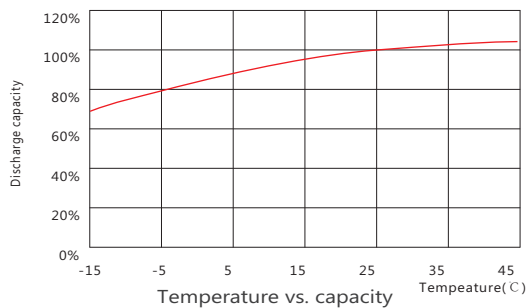
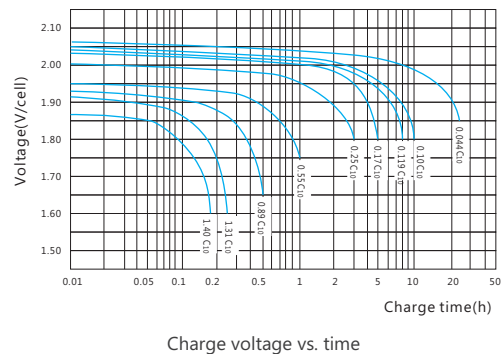
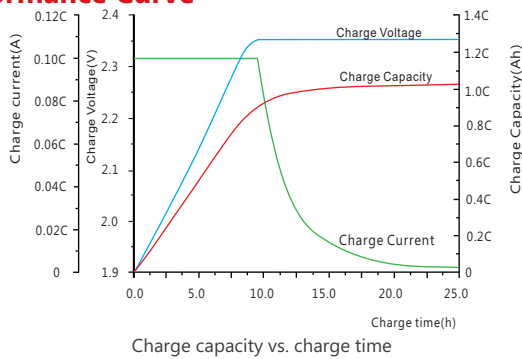
Battery Model	GFM-800FB			
Design Life (years, 25°C)	15			
Capacity (Ah, 25°C)	10HR (80.0A, 1.80V)	5HR (136.0A, 1.80V)	3HR (200A, 1.80V)	1HR(440A, 1.75V)
	800	680	600	440
Dimensions (mm)	Length	Width	Height	Total Height
	316	160	420	442
Approx. Weight (kg)	48.5			
Reference Internal Resistance (mΩ)	0.19 ( fully charged @ 25°C)			
Maximum Discharge Current (A/5 Sec.)	4800			
Self-Discharge (25°C)	≤ 1.5% per month			
Charge Voltage (V/cell, 25°C)	Cycle use		Float use	
	2.35 (-3.5mV/°C/cell), max charge current: 160A		2.25 (-3.5mV/°C/cell)	
Short Circuit Current (A)	8000			

## Discharge Data

Constant Current Discharge Data (25°C, A)													
End Voltage (V/cell)	min				h								
	30	35	40	45	1	2	3	5	8	10	12	20	24
1.60	842	776	706	643	493	310	232	154.5	108.5	89.5	74.9	47.2	39.0
1.65	800	741	675	624	480	301	227	151.0	106.1	87.5	73.6	46.7	38.7
1.70	752	701	640	600	464	290	221	147.0	103.2	85.3	72.0	46.1	38.4
1.75	693	653	600	565	440	277	211	142.5	100.0	82.9	70.1	45.1	37.9
1.80	626	600	552	522	413	261	200	136.0	96.0	80.0	68.0	44.0	37.4

Constant Power Discharge Data (25°C, W/cell)													
End Voltage (V/cell)	min				h								
	30	35	40	45	1	2	3	5	8	10	12	20	24
1.60	1480	1371	1258	1165	902	568	429	288	205	170.4	144	92.3	77.3
1.65	1424	1328	1222	1141	886	558	424	285	202	168.8	142.4	91.8	77.0
1.70	1360	1280	1181	1112	867	547	419	282	198	166.4	140.5	91.2	76.6
1.75	1272	1203	1112	1056	832	530	406	277	195	163.2	138.9	90.1	76.3
1.80	1168	1117	1034	992	794	507	392	269	190	159.5	136.0	88.6	75.8

## Performance Curve



### Sacred Sun Power Sources Co., Ltd.

No.1 Shengyang Road Qufu City, PRC  
sales@sacredsun.cn

### Sacred Sun Asia Pacific

No. 15, Yishun Industrial Street 1,  
#01-17, WIN5, Singapore 768091  
sales.asia@sacredsun.cn

### Sacred Sun Europe SPRL

Schoenstraat 96-9140 Temse, Belgium  
sales.eu@sacredsun.cn

### Sacred Sun MEA FZE

S10122A1019 Jebel Ali, Dubai,  
United Arab Emirates  
sales.mea@sacredsun.cn

