

GFM-H Series

GFM-1000H 2V1000Ah

GFM-H series batteries use AGM technology with single large capacity and thick plate structure design. It has longer floating life and high floating consistency. Its modular and horizontal structure design ensures convenient installation and maintenance, saving space effectively. It is suitable for applications with high floating consistency requirements and data center.



Benefits

- Very long life according to EUROBAT Classification
- High discharge performance
- 99%+ gas recombination efficiency
- Maximum charge efficiency
- Low self-discharge rate
- Horizontal installation method effectively prevent electrolyte stratification

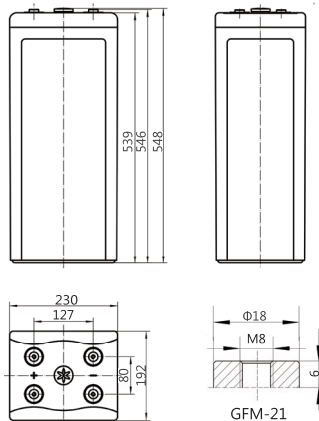
Applications

- Telecommunications
- Power system
- UPS
- Electrical Power plants and substation
- Data center

Standards

- IEC 60896-21/22
- DL/T 637-1997
- EUROBAT guide

Drawing



Specifications

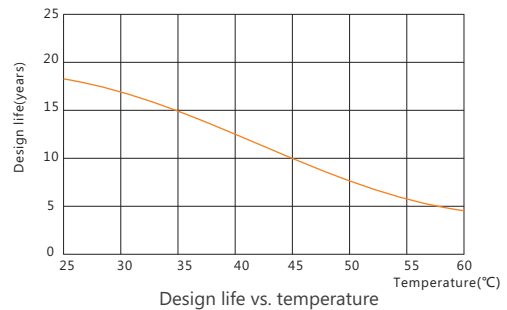
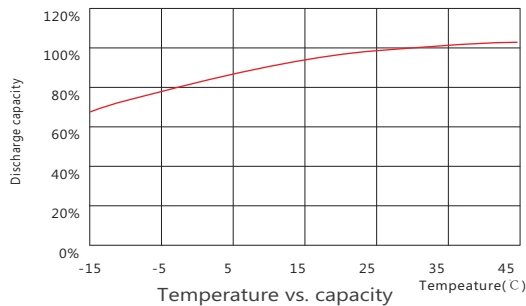
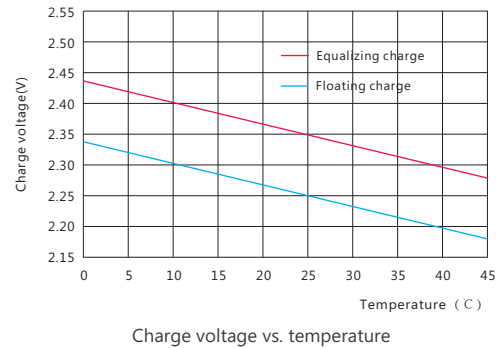
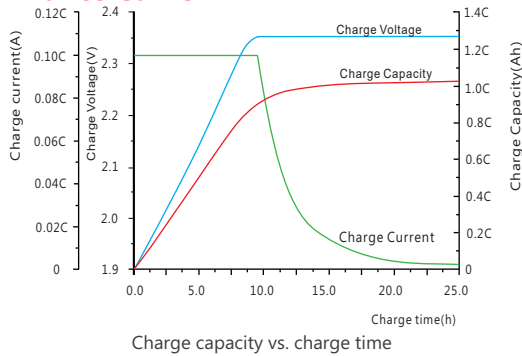
Battery Model	GFM-1000H			
Design Life (years, 25°C)	18			
Capacity (Ah, 25°C)	10HR (100.0A, 1.80V)	5HR (170.0A, 1.80V)	3HR (250A, 1.80V)	1HR(550A, 1.75V)
	1000	850	750	550
Dimensions (mm)	Length	Width	Height	Total Height
	192	230	539	548
Approx. Weight (kg)	63.0			
Reference Internal Resistance (mΩ)	0.25 (fully charged @ 25°C)			
Maximum Discharge Current (A/5 Sec.)	3800			
Self-Discharge (25°C)	≤ 1.5% per month			
Charge Voltage (V/cell, 25°C)	Cycle use		Float use	
	2.35 (-3.5mV/°C/cell), max charge current: 150A		2.25 (-3.5mV/°C/cell)	
Short Circuit Current (A)	8000			

Discharge Data

Constant Current Discharge Data (25°C, A)																		
End Voltage (V/cell)	min							h										
	5	10	15	20	30	40	50	1	2	3	4	5	6	7	8	9	10	12
1.60	1450	1288	1200	1127	979	804	676	589	362	266	211	179	156	140	128	115	104	86.5
1.65	1339	1194	1130	1050	902	753	646	571	352	260	209	176	155	138	126	113	103	85.9
1.70	1240	1125	1070	979	826	708	621	558	341	257	206	174	153	137	124	112	102	85.3
1.75	1156	1062	1010	916	762	668	604	550	336	254	204	172	151	136	123	111	101	84.7
1.80	1040	989	942	861	716	631	575	518	332	250	202	170	150	134	122	110	100	83.9

Constant Power Discharge Data (25°C, W/cell)																		
End Voltage (V/cell)	min							h										
	5	10	15	20	30	40	50	1	2	3	4	5	6	7	8	9	10	12
1.60	2300	2171	2026	1866	1583	1370	1210	1082	693	509	411	348	305	273	247	225	207	176
1.65	2147	2026	1896	1746	1498	1305	1168	1052	676	499	402	342	298	268	243	221	203	173
1.70	2004	1887	1758	1623	1417	1251	1124	1028	659	488	393	334	292	262	238	217	199	170
1.75	1879	1769	1659	1531	1337	1199	1095	1004	643	475	382	325	285	256	233	213	196	167
1.80	1731	1641	1542	1433	1276	1149	1063	978	625	466	374	318	279	251	228	209	193	165

Performance Curve



Sacred Sun Power Sources Co., Ltd.

No.1 Shengyang Road Qufu City, PRC
sales@sacredsun.cn

Sacred Sun Asia Pacific

No. 15, Yishun Industrial Street 1,
#01-17, WIN5, Singapore 768091
sales.asia@sacredsun.cn

Sacred Sun Europe SPRL

Schoenstraat 96-9140 Temse, Belgium
sales.eu@sacredsun.cn

Sacred Sun MEA FZE

S10122A1019 Jebel Ali, Dubai,
United Arab Emirates
sales.mea@sacredsun.cn