

HRL Series

HRL12-380W 12V95Ah

Sacred Sun HRL batteries adopt new appearance and constructure design, automatically welding+throug the partition welding+heat sealing technolgy, full automatic production process with good consistency. It has excellent high power discharge, long floating backup time and fast charging performance. It can be widely used in data center, UPS, IDC room.



Benefits

- Very long life according to EUROBAT Classification
- High power density, 30% higher than ordinary batteries
- Special lead paste formual and additives improve the battery service life
- Maximum charge efficiency
- Low self-discharge rate
- Wide range of power, easy sizing of batteries
- Easy installation and handling

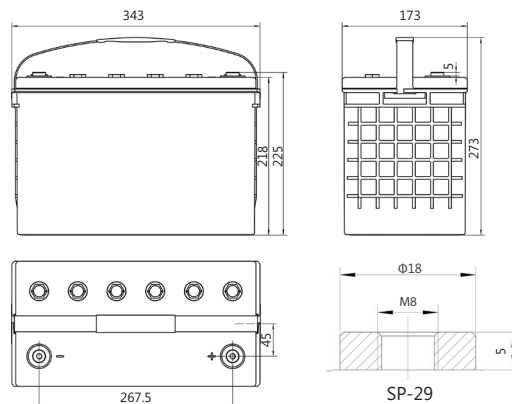
Applications

- Data center
- UPS
- IDC room
- Emergency power
- HVDC system

Standards

- IEC 60896-21/22
- JIS C8704-1/2
- EUROBAT guide

Drawing



Specifications

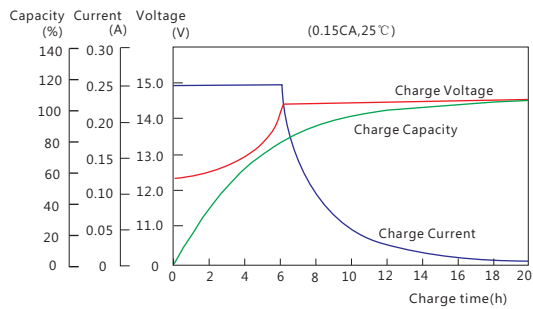
| Battery Model | HRL12-380W | | | |
|--------------------------------------|---|---------------|---------------------|-------------------|
| Design Life (years, 25°C) | 15 | | | |
| Capacity (Ah, 25°C) | 10min (1.60V) | 15min (1.67V) | 1HR (66.9A, 1.70V) | 10HR(9.5A, 1.80V) |
| | 492 | 380 | 66.9 | 95 |
| Dimensions (mm) | Length | Width | Height | Total Height |
| | 343 | 173 | 218 | 225 |
| Approx. Weight (kg) | 31.7 | | | |
| Reference Internal Resistance (mΩ) | 2.5 (fully charged @ 25°C) | | | |
| Maximum Discharge Current (A/3 Sec.) | 1150 | | | |
| Self-Discharge (25°C) | < 2% per month | | | |
| Charge Voltage (V/cell, 25°C) | Cycle use | | Float use | |
| | 2.35(-4mV/°C/cell), max charge current: 28.5A | | 2.27 (-3mV/°C/cell) | |
| Short Circuit Current (A) | 3100 | | | |

Discharge Data

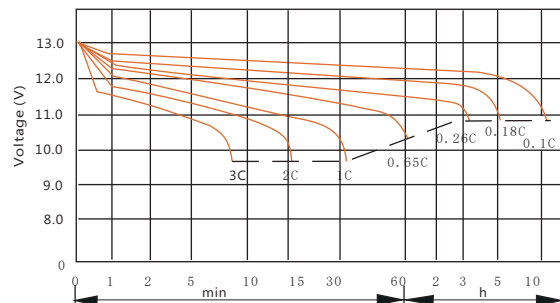
| Constant Power Discharge Data (25°C, W/cell) | | | | | | | | | | | | | | | | |
|--|-----|-----|-----|-----|-----|-----|-----|-----|------|------|------|------|------|------|------|------|
| End Voltage (V/cell) | min | | | | | | | h | | | | | | | | |
| | 5 | 10 | 15 | 20 | 25 | 30 | 45 | 1 | 1.5 | 2 | 3 | 4 | 5 | 6 | 8 | 10 |
| 1.60 | 670 | 492 | 393 | 336 | 292 | 245 | 184 | 136 | 105 | 77.9 | 57.1 | 43.3 | 36.9 | 31.7 | 25.1 | 20.7 |
| 1.65 | 658 | 483 | 386 | 330 | 286 | 239 | 181 | 134 | 104 | 77.2 | 56.7 | 42.9 | 36.6 | 31.5 | 24.9 | 20.5 |
| 1.67 | 648 | 476 | 380 | 325 | 281 | 235 | 178 | 132 | 103 | 76.7 | 56.3 | 42.5 | 36.3 | 31.3 | 24.7 | 20.4 |
| 1.70 | 635 | 467 | 372 | 318 | 275 | 228 | 175 | 130 | 101 | 75.9 | 55.7 | 42.1 | 36.0 | 31.0 | 24.5 | 20.2 |
| 1.75 | 605 | 446 | 353 | 301 | 259 | 214 | 168 | 125 | 98.2 | 74.1 | 54.5 | 41.1 | 35.2 | 30.3 | 24.0 | 19.7 |
| 1.80 | 568 | 420 | 330 | 282 | 241 | 196 | 159 | 120 | 94.5 | 71.9 | 53.0 | 39.9 | 34.3 | 29.5 | 23.3 | 19.2 |

| Constant Current Discharge Data (25°C, A) | | | | | | | | | | | | | | | | |
|---|-----|-----|-----|-----|-----|-----|------|------|------|------|------|------|------|------|------|------|
| End Voltage (V/cell) | min | | | | | | | h | | | | | | | | |
| | 5 | 10 | 15 | 20 | 25 | 30 | 45 | 1 | 1.5 | 2 | 3 | 4 | 5 | 6 | 8 | 10 |
| 1.60 | 394 | 281 | 221 | 185 | 158 | 131 | 96.8 | 70.4 | 54.3 | 40.3 | 29.5 | 22.3 | 18.9 | 16.2 | 12.8 | 10.5 |
| 1.65 | 385 | 275 | 215 | 181 | 154 | 127 | 94.8 | 69.2 | 53.5 | 39.8 | 29.1 | 22.0 | 18.7 | 16.0 | 12.6 | 10.4 |
| 1.67 | 378 | 270 | 211 | 177 | 151 | 124 | 93.2 | 68.2 | 52.8 | 39.4 | 28.8 | 21.7 | 18.5 | 15.9 | 12.5 | 10.3 |
| 1.70 | 369 | 263 | 205 | 172 | 147 | 120 | 91.2 | 66.9 | 51.9 | 38.8 | 28.4 | 21.4 | 18.3 | 15.7 | 12.4 | 10.2 |
| 1.75 | 347 | 248 | 192 | 161 | 137 | 111 | 86.4 | 63.9 | 49.9 | 37.6 | 27.6 | 20.8 | 17.7 | 15.3 | 12.0 | 9.9 |
| 1.80 | 322 | 230 | 176 | 148 | 125 | 101 | 80.8 | 60.3 | 47.5 | 36.1 | 26.6 | 20.0 | 17.1 | 14.7 | 11.6 | 9.5 |

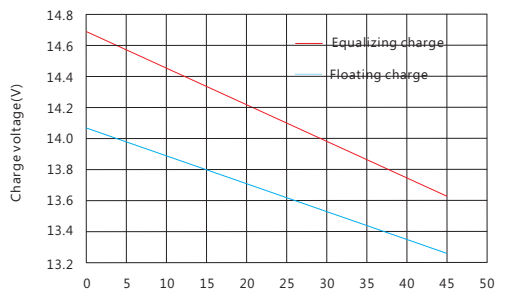
Performance Curve



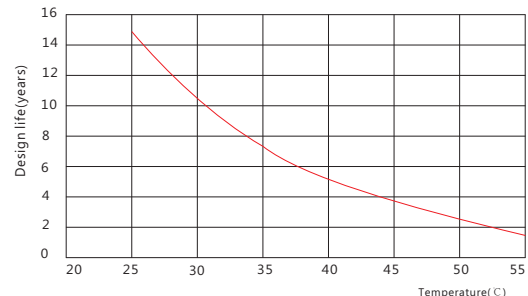
Charge performance



Discharge voltage vs. discharge time



Temperature vs. charge voltage



Design life vs. temperature

Sacred Sun Power Sources Co., Ltd.

No.1 Shengyang Road Qufu City, PRC
sales@sacredsun.cn

Sacred Sun Asia Pacific

No. 15, Yishun Industrial Street 1,
#01-17, WIN5, Singapore 768091
sales.asia@sacredsun.cn

Sacred Sun Europe SPRL

Schoenstraat 96-9140 Temse, Belgium
sales.eu@sacredsun.cn

Sacred Sun MEA FZE

S10122A1019 Jebel Ali, Dubai,
United Arab Emirates
sales.mea@sacredsun.cn

