

OPzV Series

6V 5 OPzV 250 6V250Ah

Sacred Sun OPzV series are valve regulated lead-acid cells which use a combination of tubular positive plate woven gauntlets, pasted negative plate design and gel electrolyte using advanced filling techniques in production which assure superior service life and excellent battery reliability. The battery has excellent cyclic performance and charge acceptance ability. It can be used in high-low temperature environment and poor grid condition.



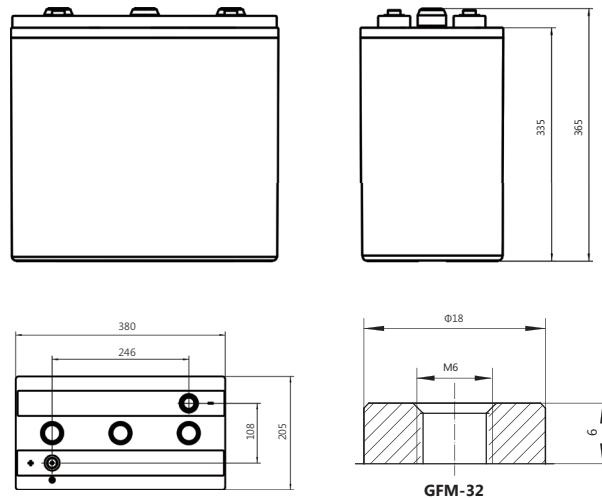
Benefits

- Very long life according to EUROBAT Classification
- 1500+ cycles at 80% DOD
- High rate discharge performance
- High gas recombination efficiency
- Maximum charge efficiency
- GEL state electrolyte prevents leakage and layering
- Low resistance PVC-SiO₂ micro-porous separator ensures low self-discharge rate
- Optional racking offers easy installation (vertical or horizontal)

Applications

- Telecommunications
- Energy storage system
- Hybrid power system
- Power system
- UPS

Drawing



Standards

- IEC 60896-21/22
- IEC 61427
- DIN 43539-T5
- DIN 40744
- EUROBAT guide

Specifications

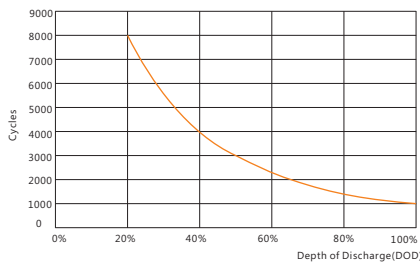
Battery Model	6V 5 OPzV 250			
Design Life (years, 25°C)	15			
Capacity (Ah, 25°C)	10HR (25A, 1.80V)	5HR (42.5A, 1.80V)	3HR (62.5A, 1.80V)	1HR (125A, 1.80V)
	250	212.5	187.5	125
Dimensions (mm)	Length	Width	Height	Total Height
	380	205	335	365
Approx. Weight (kg)	59.0			
Reference Internal Resistance (mΩ)	1.7 (fully charged @ 25°C)			
Maximum Discharge Current (A/3 Sec.)	1470			
Self-Discharge (25°C)	≤ 3% per month			
Charge Voltage (V/cell, 25°C)	Cycle use		Float use	
	2.35 (-3.5mV/°C/cell), max charge current: 50A		2.25 (-3.5mV/°C/cell)	
Short Circuit Current (A)	2500			

Discharge Data

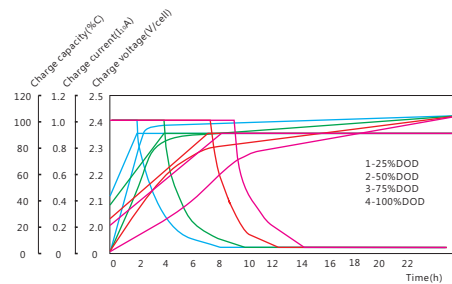
Constant Current Discharge Data (25°C, A)																		
End Voltage (V/cell)	min					h												
	5	10	15	20	30	1	2	3	5	6	8	10	20	24	48	100	120	240
1.65	378	338	295	258	218	143	94.5	73.7	48.2	42.0	33.2	29.2	15.0	12.83	6.50	3.23	2.73	1.40
1.70	353	318	273	248	212	138	88.8	69.8	46.7	40.8	31.8	27.4	14.6	12.68	6.48	3.18	2.68	1.38
1.75	338	303	268	240	200	132	84.0	66.0	44.7	38.8	30.7	26.3	13.9	12.50	6.45	3.13	2.63	1.34
1.80	318	288	253	225	193	125	79.5	62.5	42.5	37.2	29.3	25.0	13.2	12.33	6.30	3.08	2.58	1.32
1.85	300	273	240	213	182	118	75.3	59.2	40.8	36.0	27.8	23.9	12.7	11.75	6.13	3.00	2.53	1.30

Constant Power Discharge Data (25°C, W/cell)																		
End Voltage (V/cell)	min					h												
	5	10	15	20	30	1	2	3	5	6	8	10	20	24	48	100	120	240
1.65	625	613	565	525	430	287.5	187.5	147.5	96.0	84.0	66.5	58.3	29.8	25.75	13.00	6.43	5.45	2.80
1.70	580	568	530	480	413	277.5	176.5	140.3	93.0	80.5	63.5	55.0	29.0	25.35	12.95	6.35	5.35	2.73
1.75	530	520	488	450	388	262.5	167.0	138.0	89.0	77.5	61.5	52.5	27.8	25.00	12.88	6.25	5.25	2.68
1.80	480	473	430	395	350	250.0	158.8	124.5	84.5	74.0	58.5	49.8	26.3	24.63	12.58	6.15	5.15	2.63
1.85	463	400	363	343	298	237.5	150.5	118.0	81.5	71.5	55.5	46.5	25.5	23.50	12.23	6.00	5.05	2.58

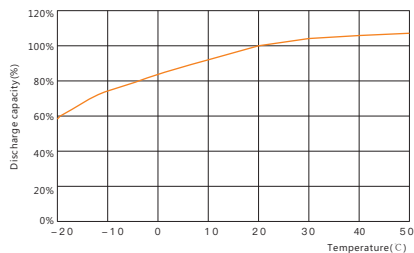
Performance Curve



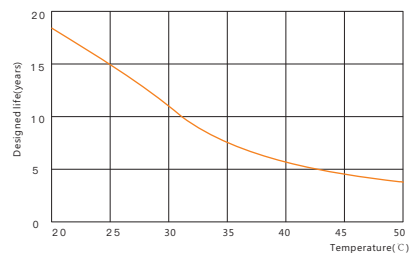
Cycle life vs. discharge depth



Charge vs. discharge depth



Capacity vs. temperature



Design life vs. temperature

Sacred Sun Power Sources Co., Ltd.

No.1 Shengyang Road Qufu City, PRC
sales@sacredsun.cn

Sacred Sun Asia Pacific

No. 15, Yishun Industrial Street 1,
#01-17, WIN5, Singapore 768091
sales.asia@sacredsun.cn

Sacred Sun Europe SPRL

Paul Dejaerlaan 4b, B 1060 Brussel,
Belgium
sales.eu@sacredsun.cn

Sacred Sun MEA FZE

Jebel Ali, Dubai, UAE
sales.mea@sacredsun.cn