

OPzV Series

6V 6 OPzV 300 6V300Ah

Sacred Sun OPzV series are valve regulated lead-acid cells which use a combination of tubular positive plate woven gauntlets, pasted negative plate design and gel electrolyte using advanced filling techniques in production which assure superior service life and excellent battery reliability. The battery has excellent cyclic performance and charge acceptance ability. It can be used in high-low temperature environment and poor grid condition.



Benefits

- Very long life according to EUROBAT Classification
- 1500+ cycles at 80% DOD
- High rate discharge performance
- High gas recombination efficiency
- Maximum charge efficiency
- GEL state electrolyte prevents leakage and layering
- Low resistance PVC-SiO₂ micro-porous separator ensures low self-discharge rate
- Optional racking offers easy installation (vertical or horizontal)

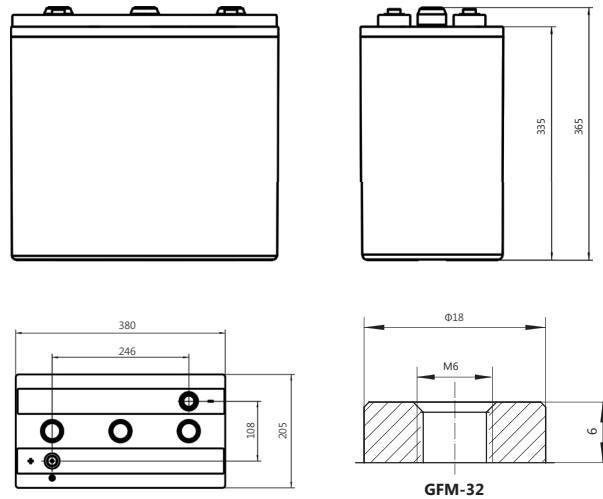
Applications

- Telecommunications
- Energy storage system
- Hybrid power system
- Power system
- UPS

Standards

- IEC 60896-21/22
- IEC 61427
- DIN 43539-T5
- DIN 40744
- EUROBAT guide

Drawing



Specifications

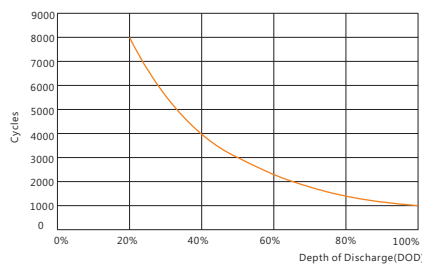
Battery Model	6V 6 OPzV 300			
Design Life (years, 25°C)	15			
Capacity (Ah, 25°C)	10HR (30A, 1.80V)	5HR (51A, 1.80V)	3HR (75A, 1.80V)	1HR (150A, 1.80V)
	300	255	225	150
Dimensions (mm)	Length	Width	Height	Total Height
	380	205	335	365
Approx. Weight (kg)	68.0			
Reference Internal Resistance (mΩ)	1.5 (fully charged @ 25°C)			
Maximum Discharge Current (A/3 Sec.)	1790			
Self-Discharge (25°C)	≤ 3% per month			
Charge Voltage (V/cell, 25°C)	Cycle use		Float use	
	2.35 (-3.5mV/°C/cell), max charge current: 60A		2.25 (-3.5mV/°C/cell)	
Short Circuit Current (A)	3000			

Discharge Data

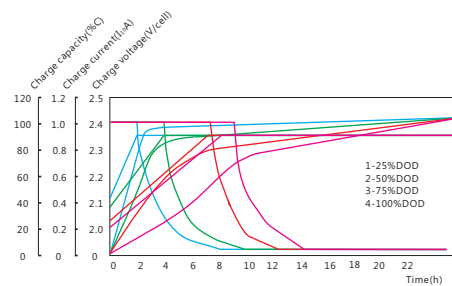
Constant Current Discharge Data (25°C, A)																		
End Voltage (V/cell)	min					h												
	5	10	15	20	30	1	2	3	5	6	8	10	20	24	48	100	120	240
1.65	453	405	354	309	262	172	113.4	88.4	57.8	50.4	39.8	35.0	18.0	15.39	7.80	3.87	3.27	1.68
1.70	423	381	327	297	254	166	106.6	83.8	56.0	49.0	38.2	32.9	17.5	15.21	7.77	3.81	3.21	1.65
1.75	405	363	321	288	240	158	100.8	79.2	53.6	46.6	36.8	31.6	16.7	15.00	7.74	3.75	3.15	1.61
1.80	381	345	303	270	232	150	95.4	75.0	51.0	44.6	35.2	30.0	15.8	14.79	7.56	3.69	3.09	1.58
1.85	360	327	288	255	218	142	90.4	71.0	49.0	43.2	33.4	28.7	15.2	14.10	7.35	3.60	3.03	1.56

Constant Power Discharge Data (25°C, W/cell)																		
End Voltage (V/cell)	min					h												
	5	10	15	20	30	1	2	3	5	6	8	10	20	24	48	100	120	240
1.65	750	735	678	630	516	345.0	225.0	177.0	115.2	100.8	79.8	69.9	35.7	30.90	15.60	7.71	6.54	3.36
1.70	696	681	636	576	495	333.0	211.8	168.3	111.6	96.6	76.2	66.0	34.8	30.42	15.54	7.62	6.42	3.27
1.75	636	624	585	540	465	315.0	200.4	165.6	106.8	93.0	73.8	63.0	33.3	30.00	15.45	7.50	6.30	3.21
1.80	576	567	516	474	420	300.0	190.5	149.4	101.4	88.8	70.2	59.7	31.5	29.55	15.09	7.38	6.18	3.15
1.85	555	480	435	411	357	285.0	180.6	141.6	97.8	85.8	66.6	55.8	30.6	28.20	14.67	7.20	6.06	3.09

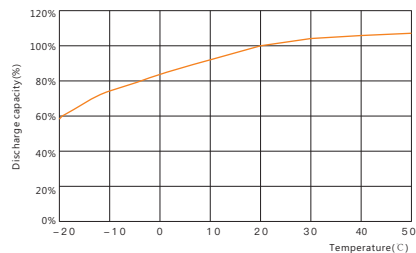
Performance Curve



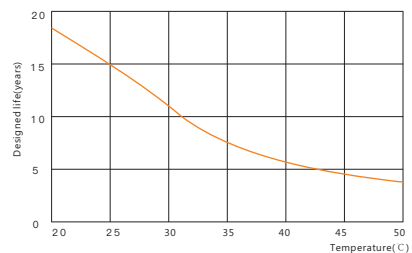
Cycle life vs. discharge depth



Charge vs. discharge depth



Capacity vs. temperature



Design life vs. temperature

Sacred Sun Power Sources Co., Ltd.

No.1 Shengyang Road Qufu City, PRC
sales@sacredsun.cn

Sacred Sun Asia Pacific

No. 15, Yishun Industrial Street 1,
#01-17, WIN5, Singapore 768091
sales.asia@sacredsun.cn

Sacred Sun Europe SPRL

Paul Dejaerlaan 4b, B 1060 Brussel,
Belgium
sales.eu@sacredsun.cn

Sacred Sun MEA FZE

Jebel Ali, Dubai, UAE
sales.mea@sacredsun.cn