

SAJ Series

SAJ12-38 12V38Ah

SAJ series battery uses AGM and gel mixed technology. It has good cycle life and large current discharge performance. It is a cost effective product and can be widely used in different photovoltaic, lighting, power supply and control systems.



Benefits

- Long life according to EUROBAT Classification
- Special AGM separator, adding gel electrolyte, long shallow cycle life.
- Maximum charge efficiency
- High gas recombination efficiency
- Low self-discharge rate
- Horizontal or Vertical installation
- Easy installation and handling

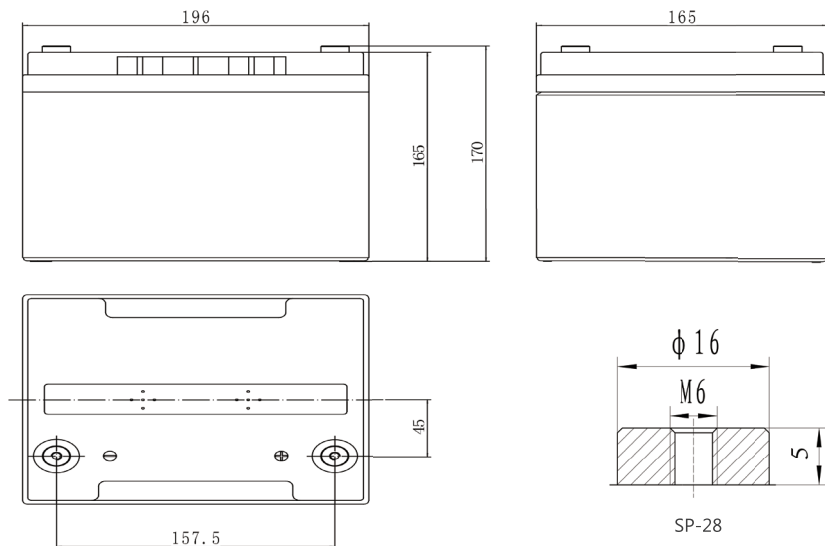
Applications

- Solar (Wind) energy system
- Solar communication/station
- Mobile storage system

Standards

- IEC 60896-21/22
- DIN 43539-T5
- EUROBAT guide

Drawing



Specifications

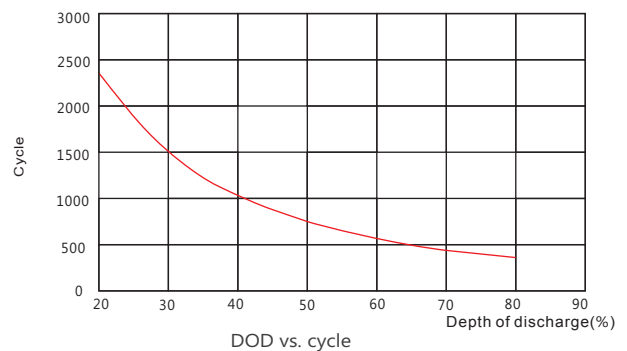
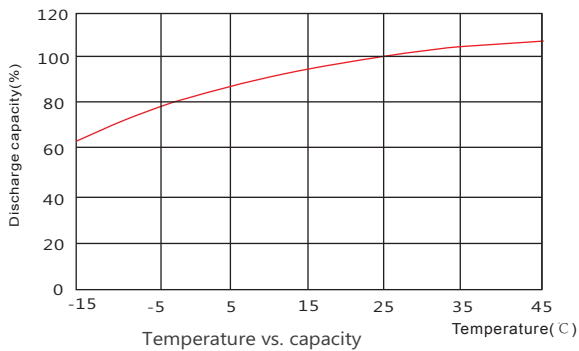
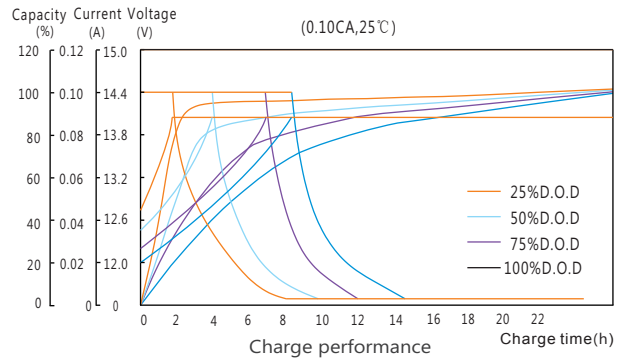
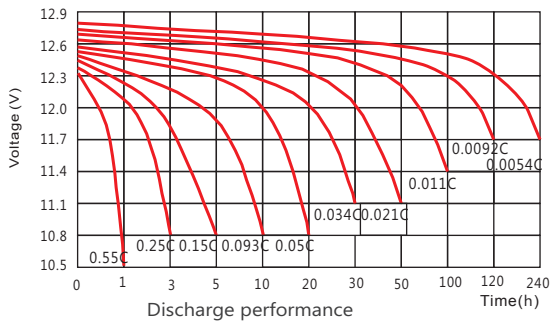
Battery Model	SAJ12-38			
Design Life (years, 25°C)	10			
Capacity (Ah, 25°C)	20HR (1.9A, 1.80V)	10HR (3.534A, 1.80V)	5HR (6.403A, 1.80V)	1HR (19.95A, 1.75V)
	38	35.34	32.015	19.95
Dimensions (mm)	Length	Width	Height	Total Height
	196	165	165	170
Approx. Weight (kg)	12.0			
Reference Internal Resistance (mΩ)	9.1 (fully charged @ 25°C)			
Maximum Discharge Current (A/5 Sec.)	456			
Self-Discharge (25°C)	≤ 1.5% per months			
Charge Voltage (V/cell, 25°C)	Cycle use		Float use	
	2.40(-3.5mV/°C/cell), max charge current: 7.6A		2.27(-3.5mV/°C/cell)	
Short Circuit Current (A)	1320			

Discharge Data

Constant Current Discharge Data (25°C, A)									
End Voltage (V/cell)	h								
	1	3	5	10	20	50	100	120	240
1.70	21.17	9.804	6.726	3.705	2.006	0.844	0.441	0.372	0.198
1.75	20.60	9.614	6.593	3.629	1.957	0.828	0.433	0.367	0.194
1.80	19.95	9.310	6.403	3.534	1.900	0.809	0.426	0.361	0.190
1.85	19.19	8.968	6.175	3.439	1.862	0.787	0.414	0.352	0.186
1.90	18.24	8.550	5.909	3.306	1.805	0.760	0.403	0.342	0.182

Constant Power Discharge Data (25°C, W/cell)									
End Voltage (V/cell)	h								
	1	3	5	10	20	50	100	120	240
1.70	37.68	17.86	11.87	6.840	3.780	1.930	1.140	0.970	0.490
1.75	36.56	17.42	11.57	6.700	3.680	1.900	1.130	0.960	0.480
1.80	35.45	17.13	11.29	6.570	3.610	1.870	1.120	0.940	0.480
1.85	34.39	16.98	11.00	6.340	3.530	1.850	1.120	0.940	0.470
1.90	33.33	16.59	10.73	6.120	3.470	1.820	1.100	0.930	0.470

Performance Curve



Sacred Sun Power Sources Co., Ltd.

No.1 Shengyang Road Qufu City, PRC
sales@sacredsun.cn

Sacred Sun Asia Pacific

No. 15, Yishun Industrial Street 1,
#01-17, WIN5, Singapore 768091
sales.asia@sacredsun.cn

Sacred Sun Europe SPRL

Schoenstraat 96-9140 Temse, Belgium
sales.eu@sacredsun.cn

Sacred Sun MEA FZE

S10122A1019 Jebel Ali, Dubai,
United Arab Emirates
sales.mea@sacredsun.cn

