

# SAJ Series

## SAJ-80 12V80Ah



SAJ series battery uses AGM and gel mixed technology. It has good cycle life and large current discharge performance. It is a cost effective product and can be widely used in different photovoltaic, lighting, power supply and control systems.



### Benefits

- Long life according to EUROBAT Classification
- Special AGM separator, adding gel electrolyte, long shallow cycle life.
- Maximum charge efficiency
- High gas recombination efficiency
- Low self-discharge rate
- Horizontal or Vertical installation
- Easy installation and handling

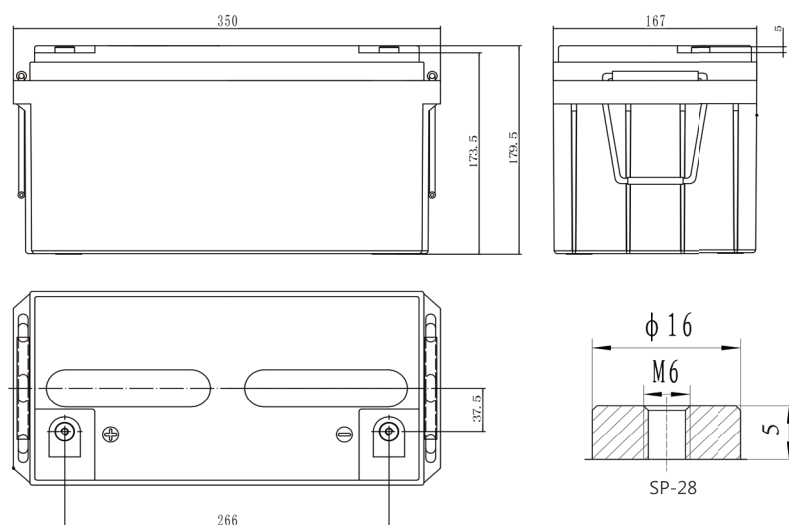
### Applications

- Solar (Wind) energy system
- Solar communication/station
- Mobile storage system

### Standards

- IEC 60896-21/22
- DIN 43539-T5
- EUROBAT guide

### Drawing



### Specifications

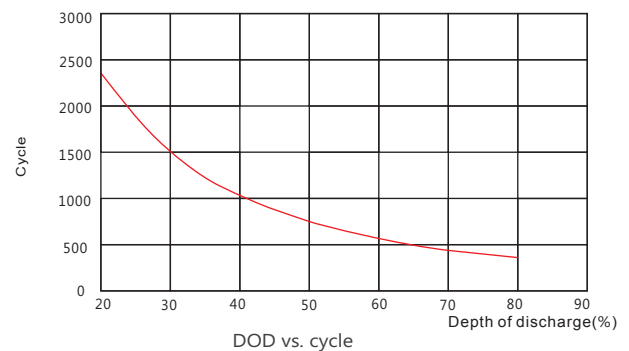
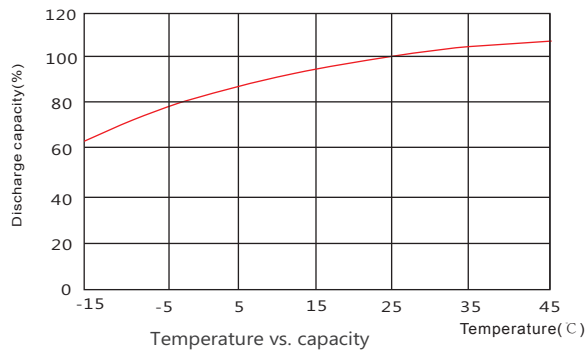
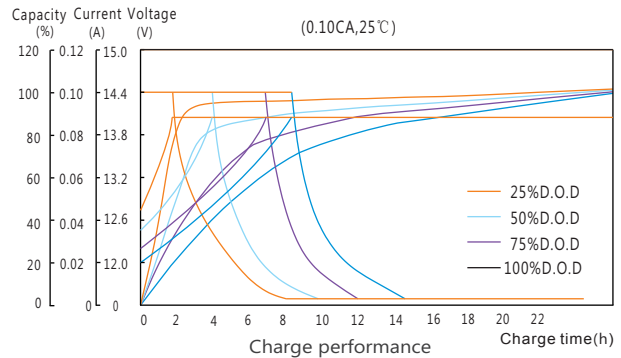
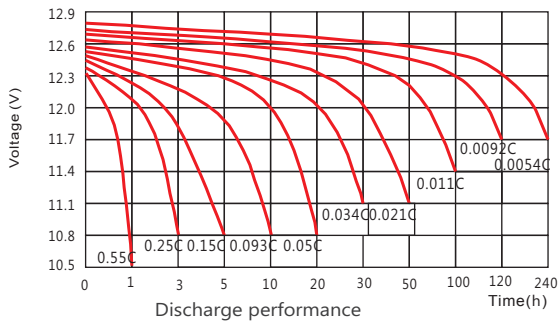
Battery Model	SAJ12-80			
Design Life (years, 25°C)	10			
Capacity (Ah, 25°C)	20HR (4.0A, 1.80V)	10HR (7.44A, 1.80V)	5HR (13.28A, 1.80V)	1HR (42.0A, 1.75V)
	80	74.4	66.4	42.0
Dimensions (mm)	Length	Width	Height	Total Height
	350	167	179.5	179.5
Approx. Weight (kg)	23.2			
Reference Internal Resistance (mΩ)	4.6 ( fully charged @ 25°C)			
Maximum Discharge Current (A/5 Sec.)	920			
Self-Discharge (25°C)	≤ 1.5% per months			
Charge Voltage (V/cell, 25°C)	Cycle use		Float use	
	2.40(-3.5mV/°C/cell), max charge current: 16A		2.27(-3.5mV/°C/cell)	
Short Circuit Current (A)	2600			

## Discharge Data

Constant Current Discharge Data (25°C, A)									
End Voltage (V/cell)	h								
	1	3	5	10	20	50	100	120	240
1.70	44.56	20.64	13.96	7.800	4.224	1.776	0.928	0.784	0.416
1.75	43.36	20.24	13.68	7.640	4.120	1.744	0.912	0.773	0.408
1.80	42.00	19.60	13.28	7.440	4.000	1.704	0.896	0.760	0.400
1.85	40.40	18.88	12.80	7.240	3.920	1.656	0.872	0.741	0.392
1.90	38.40	18.00	12.24	6.960	3.800	1.600	0.848	0.720	0.384

Constant Power Discharge Data (25°C, W/cell)									
End Voltage (V/cell)	h								
	1	3	5	10	20	50	100	120	240
1.70	84.00	35.21	24.50	14.20	7.800	3.500	2.010	1.710	0.870
1.75	81.50	34.18	24.00	13.80	7.600	3.490	1.910	1.650	0.840
1.80	79.00	33.31	23.50	13.50	7.500	3.450	1.850	1.590	0.810
1.85	76.50	32.59	22.50	13.00	7.350	3.300	1.750	1.530	0.780
1.90	74.00	31.78	22.00	12.70	7.200	3.350	1.710	1.470	0.750

## Performance Curve



### Sacred Sun Power Sources Co., Ltd.

No.1 Shengyang Road Qufu City, PRC  
sales@sacredsun.cn

### Sacred Sun Asia Pacific

No. 15, Yishun Industrial Street 1,  
#01-17, WIN5, Singapore 768091  
sales.asia@sacredsun.cn

### Sacred Sun Europe SPRL

Schoenstraat 96-9140 Temse, Belgium  
sales.eu@sacredsun.cn

### Sacred Sun MEA FZE

S10122A1019 Jebel Ali, Dubai,  
United Arab Emirates  
sales.mea@sacredsun.cn

