

SDC Series

SDC12-110 12V110Ah

SDC VRLA battery uses AGM and GEL hybrid technology, it has good deep cycle and large current discharge performance. As the economy-type solar battery, it can be widely used in renewable energy, electrical vehicle etc.



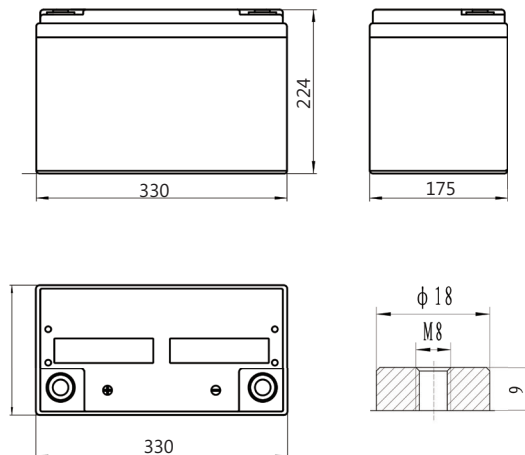
Benefits

- Deep cycle for solar application
- Good large current discharge performance
- High gas recombination efficiency
- Maximum charge efficiency
- Low self-discharge rate
- Easy installation and handling

Applications

- Electrical Vehicle
- Renewable Energy
- Universal

Drawing



Standards

- IEC 60896-21/22
- IEC 61427
- EUROBAT guide

Specifications

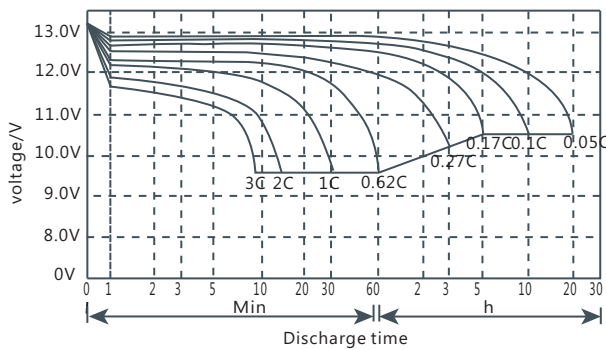
Battery Model	SDC12-110			
Design Life (years, 25°C)	10			
Capacity (Ah, 25°C)	20HR (5.7A, 1.75V)	10HR (11.0A, 1.75V)	5HR (22A, 1.75V)	3HR(33.33A, 1.75V)
	114	110	105	100
Dimensions (mm)	Length	Width	Height	Total Height
	330	175	215	224
Approx. Weight (kg)	35.0			
Reference Internal Resistance (mΩ)	5.0 (fully charged @ 25°C)			
Maximum Discharge Current (A/10 Sec.)	900			
Self-Discharge (25°C)	< 3% per month			
Charge Voltage (V/cell, 25°C)	Cycle use		Float use	
	2.45 (-3.0mV/°C/cell), max charge current: 15A		2.35 (-3.0mV/°C/cell)	
Short Circuit Current (A)	1650			

Discharge Data

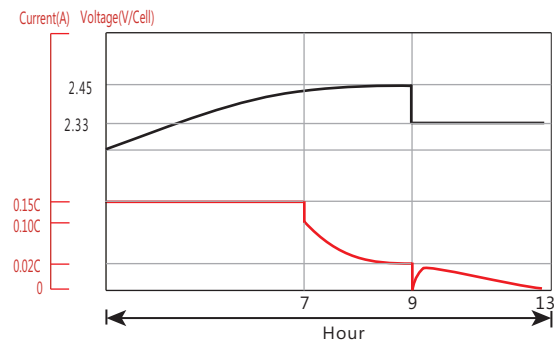
Constant Current Discharge Data (25°C, A)											
End Voltage (V/cell)	min				h						
	10	20	30	45	1	1.5	2	3	5	10	20
1.60	274.3	160.3	120.5	89.63	75.92	59.76	47.20	33.97	21.30	11.48	5.780
1.65	268.1	157.1	118.6	88.19	74.83	59.15	46.83	33.83	21.20	11.45	5.768
1.70	261.0	153.3	116.0	86.60	74.02	58.61	46.50	33.63	21.10	11.38	5.734
1.75	255.0	150.5	114.0	85.33	73.00	57.93	46.00	33.33	21.00	11.00	5.700

Constant Power Discharge Data (25°C, W/cell)											
End Voltage (V/cell)	min				h						
	10	20	30	45	1	1.5	2	3	5	10	20
1.60	481.8	288.7	221.5	167.3	146.8	117.0	93.45	67.93	44.83	23.04	11.63
1.65	479.6	287.3	220.6	166.4	145.3	116.3	92.88	67.72	44.69	23.01	11.61
1.70	473.5	283.6	218.2	165.1	144.3	115.6	92.37	67.38	44.50	22.89	11.55
1.75	469.0	281.9	216.8	164.3	143.0	114.6	91.54	66.89	44.18	22.77	11.50

Performance Curve



Discharge performance



Charge performance

Sacred Sun Power Sources Co., Ltd.

No.1 Shengyang Road Qufu City, PRC
sales@sacredsun.cn

Sacred Sun Asia Pacific

No. 15, Yishun Industrial Street 1,
#01-17, WIN5, Singapore 768091
sales.asia@sacredsun.cn

Sacred Sun Europe SPRL

Schoenstraat 96-9140 Temse, Belgium
sales.eu@sacredsun.cn

Sacred Sun MEA FZE

S10122A1019 Jebel Ali, Dubai,
United Arab Emirates
sales.mea@sacredsun.cn

