

SDC Series

SDC12-75 12V75Ah

SDC VRLA battery uses AGM and GEL hybrid technology, it has good deep cycle and large current discharge performance. As the economy-type solar battery, it can be widely used in renewable energy, electrical vehicle etc.



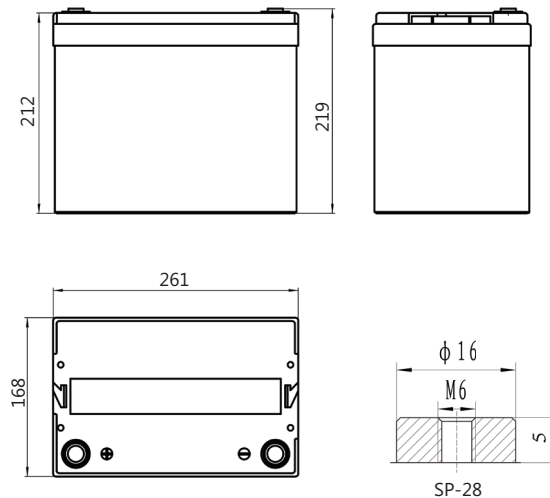
Benefits

- Deep cycle for solar application
- Good large current discharge performance
- High gas recombination efficiency
- Maximum charge efficiency
- Low self-discharge rate
- Easy installation and handling

Applications

- Electrical Vehicle
- Renewable Energy
- Universal

Drawing



Standards

- IEC 60896-21/22
- IEC 61427
- EUROBAT guide

Specifications

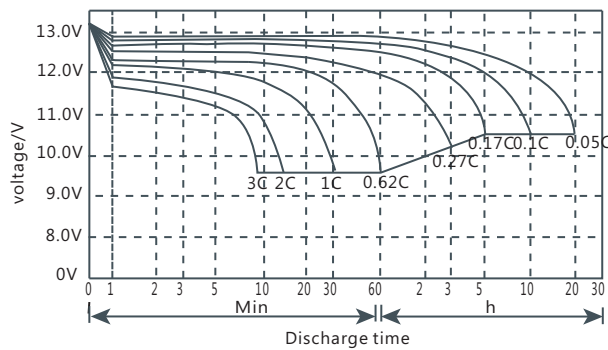
| | | | | |
|---------------------------------------|--|--------------------|-----------------------|-----------------|
| Battery Model | SDC12-75 | | | |
| Design Life (years, 25°C) | 10 | | | |
| Capacity (Ah, 25°C) | 20HR (3.9A, 1.75V) | 10HR (7.5A, 1.75V) | 5HR (14A, 1.75V) | 3HR(20A, 1.75V) |
| | 78 | 75 | 70 | 60 |
| Dimensions (mm) | Length | Width | Height | Total Height |
| | 261 | 168 | 212 | 219 |
| Approx. Weight (kg) | 24.0 | | | |
| Reference Internal Resistance (mΩ) | 7.0 (fully charged @ 25°C) | | | |
| Maximum Discharge Current (A/10 Sec.) | 540 | | | |
| Self-Discharge (25°C) | < 3% per month | | | |
| Charge Voltage (V/cell, 25°C) | Cycle use | | Float use | |
| | 2.45 (-3.0mV/°C/cell), max charge current: 10A | | 2.35 (-3.0mV/°C/cell) | |
| Short Circuit Current (A) | 1100 | | | |

Discharge Data

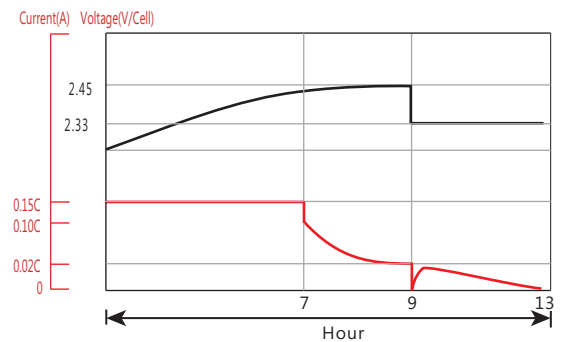
| Constant Current Discharge Data (25°C, A) | | | | | | | | | | | | |
|---|-------|-------|-------|-------|-------|-------|-------|-------|-------|-------|-------|--|
| End Voltage (V/cell) | min | | | | h | | | | | | | |
| | 10 | 20 | 30 | 45 | 1 | 1.5 | 2 | 3 | 5 | 10 | 20 | |
| 1.60 | 166.8 | 99.72 | 77.84 | 58.90 | 45.79 | 33.28 | 28.35 | 20.20 | 14.11 | 7.546 | 3.920 | |
| 1.65 | 163.3 | 98.15 | 77.16 | 58.59 | 45.63 | 33.18 | 28.27 | 20.14 | 14.07 | 7.524 | 3.909 | |
| 1.70 | 159.7 | 97.02 | 76.81 | 58.38 | 45.49 | 33.09 | 28.20 | 20.10 | 14.04 | 7.515 | 3.906 | |
| 1.75 | 156.6 | 95.40 | 75.60 | 57.60 | 45.00 | 32.80 | 28.00 | 20.00 | 14.00 | 7.500 | 3.900 | |

| Constant Power Discharge Data (25°C, W/cell) | | | | | | | | | | | | |
|--|-------|-------|-------|-------|-------|-------|-------|-------|-------|-------|-------|--|
| End Voltage (V/cell) | min | | | | h | | | | | | | |
| | 10 | 20 | 30 | 45 | 1 | 1.5 | 2 | 3 | 5 | 10 | 20 | |
| 1.60 | 302.6 | 186.9 | 149.0 | 114.0 | 89.31 | 65.24 | 55.78 | 39.94 | 28.03 | 15.06 | 7.861 | |
| 1.65 | 301.0 | 185.4 | 148.5 | 113.9 | 89.28 | 65.21 | 55.83 | 39.95 | 28.04 | 15.05 | 7.859 | |
| 1.70 | 297.6 | 184.6 | 148.4 | 113.9 | 89.31 | 65.23 | 55.84 | 39.99 | 28.05 | 15.08 | 7.870 | |
| 1.75 | 294.1 | 182.5 | 146.6 | 112.7 | 88.61 | 64.85 | 55.64 | 39.90 | 28.03 | 15.08 | 7.871 | |

Performance Curve



Discharge performance



Charge performance

Sacred Sun Power Sources Co., Ltd.

No.1 Shengyang Road Qufu City, PRC
sales@sacredsun.cn

Sacred Sun Asia Pacific

No. 15, Yishun Industrial Street 1,
#01-17, WIN5, Singapore 768091
sales.asia@sacredsun.cn

Sacred Sun Europe SPRL

Schoenstraat 96-9140 Temse, Belgium
sales.eu@sacredsun.cn

Sacred Sun MEA FZE

S10122A1019 Jebel Ali, Dubai,
United Arab Emirates
sales.mea@sacredsun.cn