

SPG Series

SPG12-215W 12V55Ah



SPG series VRLA battery uses AGM technology and high-purity raw materials. It has good high power discharge, floating backup and fast charging performance. It is mainly used in UPS/EPS standby power supply systems. It can backup power in poor operation environment.

Benefits

- Long life according to EUROBAT Classification
- Maximun charge efficiency
- High gas recombination efficiency
- Low self-discharge rate
- Easy installation and handling
- Horizontal or vertical installization

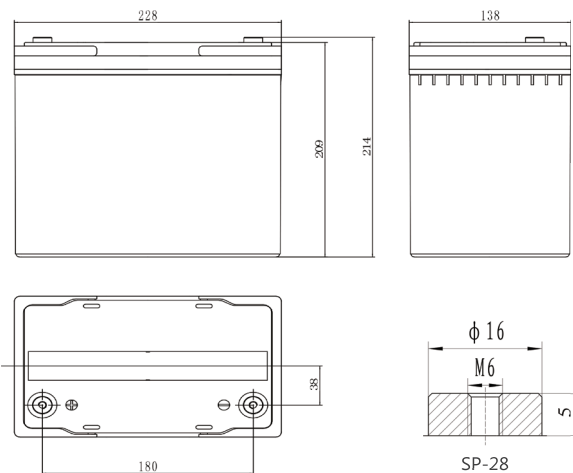
Applications

- UPS units
- Data center
- Starting generators
- EPS units

Standards

- IEC 60896-21/22
- JIS C8704-1/2
- EUROBAT guide
- Installation compliant with EN 50272-2

Drawing



Specifications

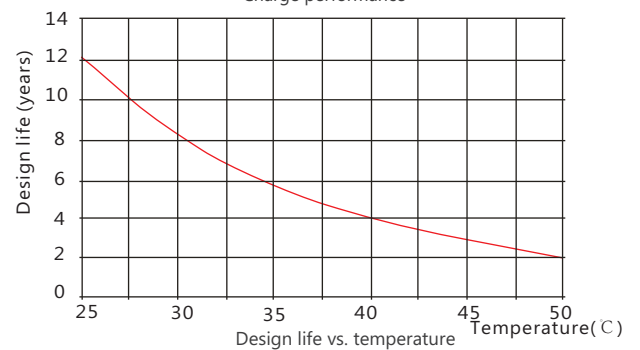
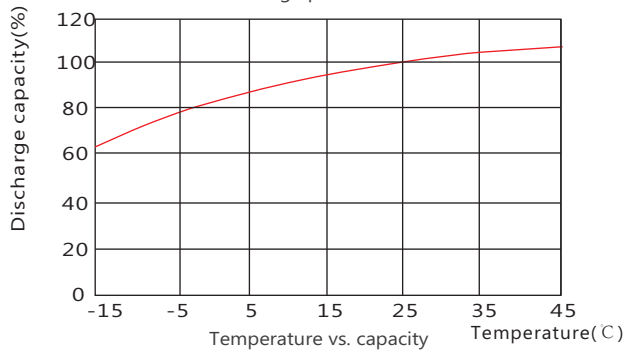
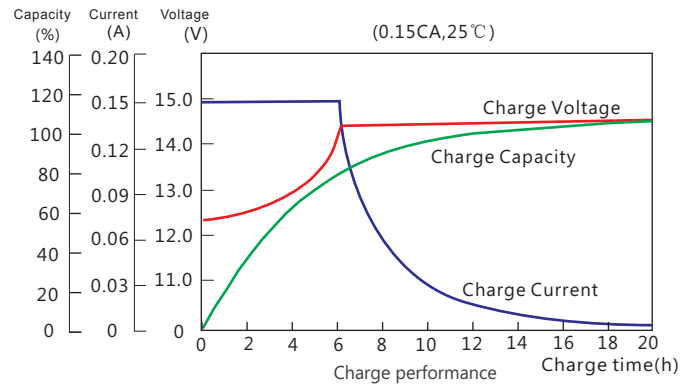
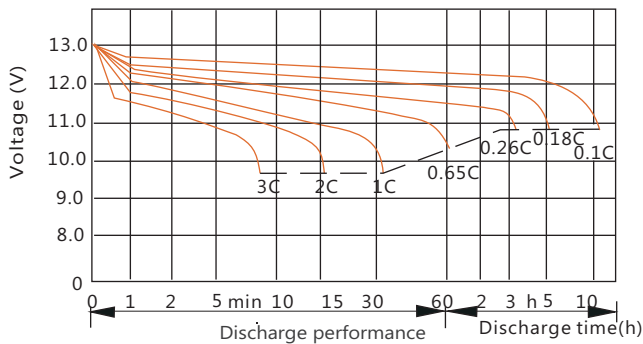
Battery Model	SPG12-215W			
Design Life (years, 25°C)	12			
Capacity (Ah, 25°C)	10min (1.60V) 289W/cell	15min (1.67V) 215W/cell	1HR (36.6A, 1.70V) 36.6Ah	10HR (5.5A, 1.80V) 55Ah
Dimensions (mm)	Length	Width	Height	Total Height
	228	138	209	214
Approx. Weight (kg)	17.2			
Reference Internal Resistance (mΩ)	6.4 (fully charged @ 25°C)			
Maximum Discharge Current (A/5 Sec.)	660			
Self-Discharge (25°C)	≤ 2% per months			
Charge Voltage (V/cell, 25°C)	Cycle use		Float use	
	2.40(-4mV/°C/cell), max charge current: 16.5A		2.27(-3mV/°C/cell)	
Short Circuit Current (A)	1850			

Discharge Data

Constant Current Discharge Data (25°C, A)														
End Voltage (V/cell)	min							h						
	5	10	15	20	25	30	45	1	1.5	2	3	5	6	10
1.60	207	168	123	101	84.0	74.3	51.9	40.6	27.7	21.9	16.4	11.0	9.48	6.12
1.65	195	160	118	95.7	80.1	71.2	50.3	38.5	26.5	21.0	15.9	10.7	9.22	5.95
1.67	188	155	114	93.7	78.3	69.5	48.3	37.6	25.9	20.6	15.6	10.6	9.11	5.88
1.70	183	150	111	91.3	76.2	67.5	47.3	36.6	25.3	20.2	15.3	10.4	8.99	5.80
1.75	170	141	105	87.1	72.4	63.8	46.3	35.2	24.1	19.3	14.8	10.1	8.74	5.64
1.80	165	130	100	83.0	68.7	60.2	43.8	33.0	23.0	18.5	14.3	9.68	8.52	5.50

Constant Power Discharge Data (25°C, W/cell)														
End Voltage (V/cell)	min							h						
	5	10	15	20	25	30	45	1	1.5	2	3	5	6	10
1.60	385	289	226	179	147	132	96.8	78.4	61.3	46.6	33.8	21.8	18.9	12.4
1.65	370	282	219	173	142	128	93.4	76.2	59.6	45.2	33.1	21.3	18.4	12.1
1.67	362	275	215	170	139	126	92.1	75.2	59.0	44.6	32.4	21.1	18.3	12.1
1.70	355	262	209	166	136	124	90.9	74.1	57.9	43.8	31.5	20.7	18.1	11.9
1.75	337	250	202	160	132	120	87.9	72.0	55.9	42.5	30.8	20.2	17.7	11.6
1.80	320	235	194	155	127	116	85.1	69.8	53.9	41.0	29.6	19.6	17.4	11.4

Performance Curve



Sacred Sun Power Sources Co., Ltd.

No.1 Shengyang Road Qufu City, PRC
sales@sacredsun.cn

Sacred Sun Asia Pacific

No. 15, Yishun Industrial Street 1,
#01-17, WIN5, Singapore 768091
sales.asia@sacredsun.cn

Sacred Sun Europe SPRL

Schoenstraat 96-9140 Temse, Belgium
sales.eu@sacredsun.cn

Sacred Sun MEA FZE

S10122A1019 Jebel Ali, Dubai,
United Arab Emirates
sales.mea@sacredsun.cn

