

# SPG Series

## SPG12-300W 12V80Ah

SPG series VRLA battery uses AGM technology and high-purity raw materials. It has good high power discharge, floating backup and fast charging performance. It is mainly used in UPS/EPS standby power supply systems. It can backup power in poor operation environment.



### Benefits

- Long life according to EUROBAT Classification
- Maximun charge efficiency
- High gas recombination efficiency
- Low self-discharge rate
- Horizontal or vertical installization

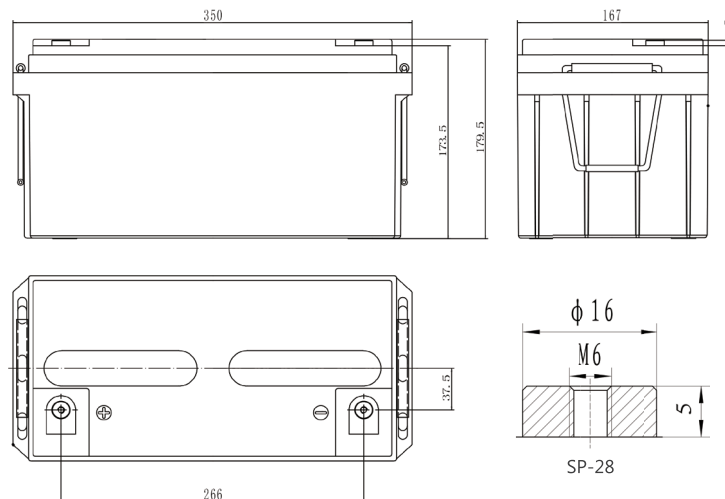
### Applications

- UPS units
- Data center
- Starting generators
- EPS units

### Standards

- IEC 60896-21/22
- JIS C8704-1/2
- EUROBAT guide

### Drawing



### Specifications

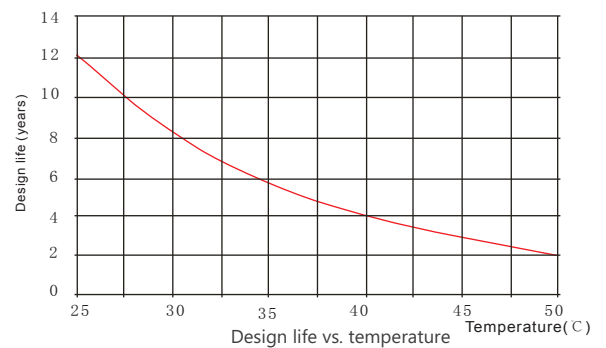
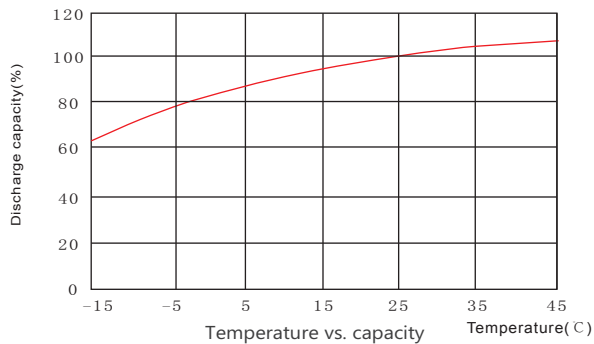
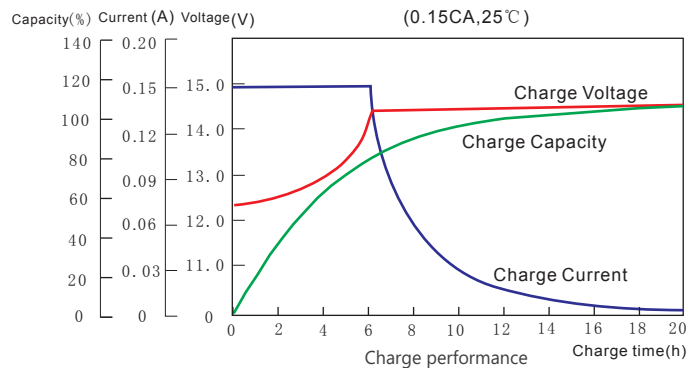
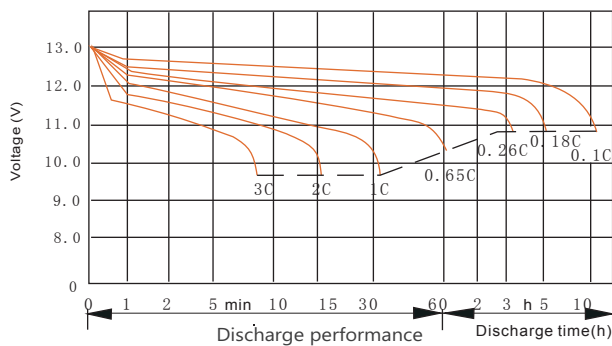
Battery Model	SPG12-300W			
Design Life (years, 25°C)	12			
Capacity (Ah, 25°C)	10min ( 1.60V)	15min ( 1.67V)	1HR (52.8A, 1.70V)	10HR 8.0A, 1.80V)
	399W/cell	300W/cell	52.8Ah	80Ah
Dimensions (mm)	Length	Width	Height	Total Height
	350	167	179.5	179.5
Approx. Weight (kg)	24.6			
Reference Internal Resistance (mΩ)	5.0 ( fully charged @ 25°C)			
Maximum Discharge Current (A/5 Sec.)	960			
Self-Discharge (25°C)	≤ 2% per months			
Charge Voltage (V/cell, 25°C)	Cycle use		Float use	
	2.40(-3.5mV/°C/cell), max charge current: 24A		2.27(-3.5mV/°C/cell)	
Short Circuit Current (A)	2400			

## Discharge Data

Constant Current Discharge Data (25°C, A)														
End Voltage (V/cell)	min							h						
	5	10	15	20	25	30	45	1	1.5	2	3	5	6	10
1.60	276	207	166	138	118	100	69.9	58.5	41.9	33.8	23.8	15.4	13.2	8.80
1.65	255	197	160	132	113	96.8	68.2	56.6	40.7	32.9	23.0	14.9	12.9	8.56
1.67	244	189	153	127	109	93.1	65.8	55.0	40.0	32.3	22.7	14.8	12.7	8.48
1.70	229	178	143	120	104	89.5	63.5	52.8	39.2	31.8	22.3	14.5	12.5	8.32
1.75	218	167	133	111	96	83.7	60.0	50.9	38.1	30.9	21.7	14.2	12.3	8.16
1.80	210	154	122	105	91	79.3	55.5	48.4	36.6	29.8	21.0	13.9	12.0	8.00

Constant Power Discharge Data (25°C, W/cell)														
End Voltage (V/cell)	min							h						
	5	10	15	20	25	30	45	1	1.5	2	3	5	6	10
1.60	520	399	315	274	226	206	149	117	89.5	68.2	51.0	32.3	27.4	18.1
1.65	506	388	306	265	219	199	145	113	87.0	66.3	49.7	31.4	27.0	17.9
1.67	483	380	300	260	214	194	142	111	84.8	64.6	48.7	30.6	26.6	17.8
1.70	463	372	296	254	210	188	140	109	83.3	63.5	48.0	30.2	26.2	17.5
1.75	449	361	284	244	203	182	136	106	81.4	62.2	46.5	29.5	25.7	17.3
1.80	433	347	273	236	195	174	130	102	78.4	60.1	45.1	28.7	25.1	16.9

## Performance Curve



### Sacred Sun Power Sources Co., Ltd.

No.1 Shengyang Road Qufu City, PRC  
sales@sacredsun.cn

### Sacred Sun Asia Pacific

No. 15, Yishun Industrial Street 1,  
#01-17, WIN5, Singapore 768091  
sales.asia@sacredsun.cn

### Sacred Sun Europe SPRL

Schoenstraat 96-9140 Temse, Belgium  
sales.eu@sacredsun.cn

### Sacred Sun MEA FZE

S10122A1019 Jebel Ali, Dubai,  
United Arab Emirates  
sales.mea@sacredsun.cn