

# GFM-H Series

## GFM-600H 2V600Ah

GFM-H series batteries use AGM technology with single large capacity and thick plate structure design. It has longer floating life and high floating consistency. Its modular and horizontal structure design ensures convenient installation and maintenance, saving space effectively. It is suitable for applications with high floating consistency requirements and data center.

### Benefits

- Very long life according to EUROBAT Classification
- High discharge performance
- 99%+ gas recombination efficiency
- Maximum charge efficiency
- Low self-discharge rate
- Horizontal installation method effectively prevent electrolyte stratification

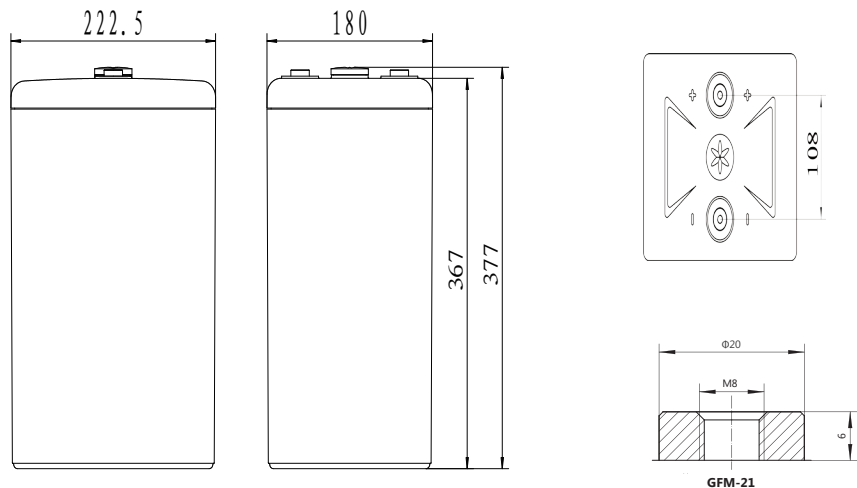
### Applications

- Telecommunications
- Power system
- UPS
- Electrical Power plants and substation
- Data center

### Standards

- IEC 60896-21/22
- DL/T 637-1997
- EUROBAT guide

### Drawing



### Specifications

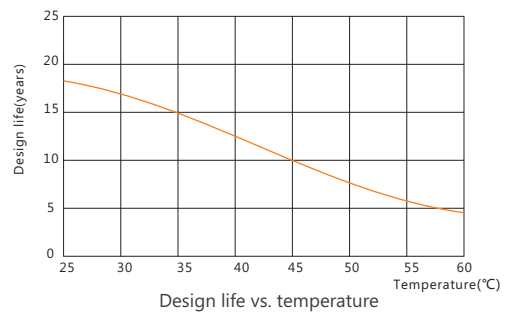
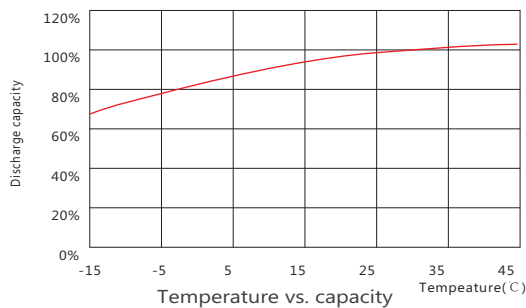
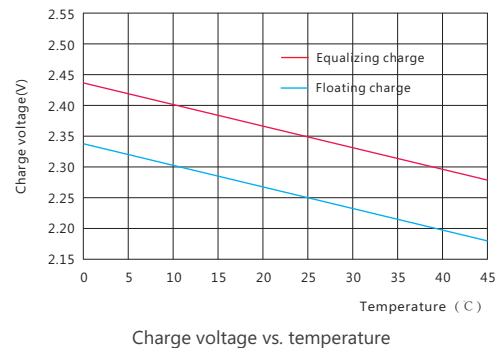
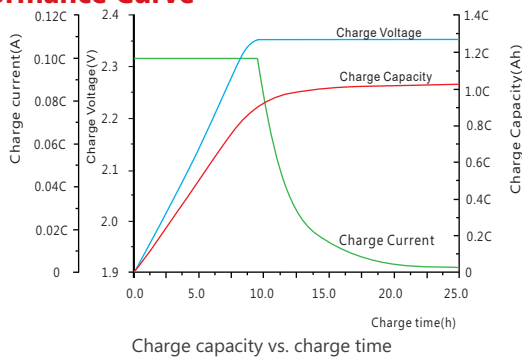
Battery Model	GFM-600H			
Design Life (years, 25°C)	18			
Capacity (Ah, 25°C)	10HR (60.0A, 1.80V)	5HR (102A, 1.80V)	3HR (150A, 1.80V)	1HR(330A, 1.75V)
	600	510	450	330
Dimensions (mm)	Length	Width	Height	Total Height
	225.5	180	367	377
Approx. Weight (kg)	32.3			
Reference Internal Resistance (mΩ)	0.31 ( fully charged @ 25°C)			
Maximum Discharge Current (A/5 Sec.)	2100			
Self-Discharge (25°C)	≤ 1.5% per month			
Charge Voltage (V/cell, 25°C)	Cycle use		Float use	
	2.35 (-3.5mV/°C/cell), max charge current: 90A		2.25 (-3.5mV/°C/cell)	
Short Circuit Current (A)	5300			

## Discharge Data

Constant Current Discharge Data (25°C, A)														
End Voltage (V/cell)	min			h										
	30	40	50	1	2	3	4	5	6	7	8	9	10	12
1.60	552	456	386	371	226	170	136	114	97	86	78	71	66	54
1.65	534	442	377	362	221	166	132	112	95	84	76	68	64	53
1.70	492	420	362	354	214	161	128	108	92	82	73	67	62	52
1.75	450	396	342	330	206	155	124	106	90	79	71	65	61	50
1.80	408	367	326	300	192	150	115	102	86	77	70	64	60	49

Constant Power Discharge Data (25°C, W/cell)														
End Voltage (V/cell)	min			h										
	30	40	50	1	2	3	4	5	6	7	8	9	10	12
1.60	986	818	701	670	418	314	253	209	184	164	149	138	125	107
1.65	962	802	690	660	410	310	250	206	181	162	146	136	124	106
1.70	904	768	672	654	401	302	244	203	180	158	144	133	122	103
1.75	842	750	648	619	391	293	235	197	174	156	140	130	120	102
1.80	774	682	614	575	371	278	223	190	168	150	138	127	118	101

## Performance Curve



### Sacred Sun Power Sources Co., Ltd.

Add: No.1 Shengyang Road, Qufu 273100 PRC  
Tel: +86-537-4422313 Fax: +86-537-4411980  
Email: sales@sacredsun.cn

### Sacred Sun Hong Kong Co., Limited

Add: RM 19C Lockhart CTR 301-307 Lockhart RD Wan Chai, Hong Kong  
Email: admin.hk@sacredsun.hk

### Sacred Sun Asia Pacific Pte Ltd.

Add: 1 Ubi View, #04-12, Focus One, Singapore 408555  
Email: admin.sg@sacredsun.sg

### Sacred Sun Europe SARRL

Add: ZAE Fontaine, 33210 Fargues, France  
Email: admin.eu@sacredsun.eu

### Sacred Sun MEA FZE

Add: No. 311 office, Building LOB 14, JAFZA, Dubai, UAE  
Email: admin.ae@sacredsun.ae