

# GFM-H Series

## GFM-800H 2V800Ah

GFM-H series batteries use AGM technology with single large capacity and thick plate structure design. It has longer floating life and high floating consistency. Its modular and horizontal structure design ensures convenient installation and maintenance, saving space effectively. It is suitable for applications with high floating consistency requirements and data center.

### Benefits

- Very long life according to EUROBAT Classification
- High discharge performance
- 99%+ gas recombination efficiency
- Maximum charge efficiency
- Low self-discharge rate
- Horizontal installation method effectively prevent electrolyte stratification

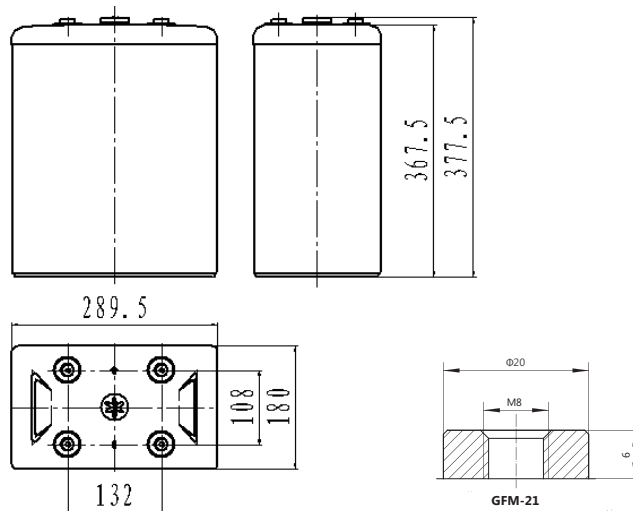
### Applications

- Telecommunications
- Power system
- UPS
- Electrical Power plants and substation
- Data center

### Standards

- IEC 60896-21/22
- DL/T 637-1997
- EUROBAT guide

### Drawing



### Specifications

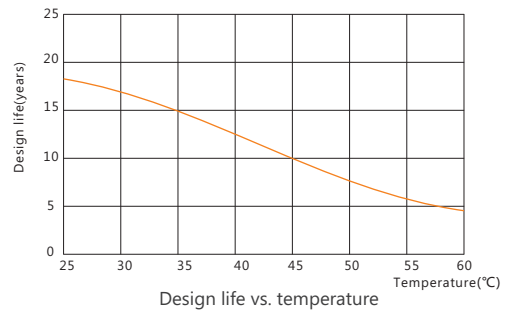
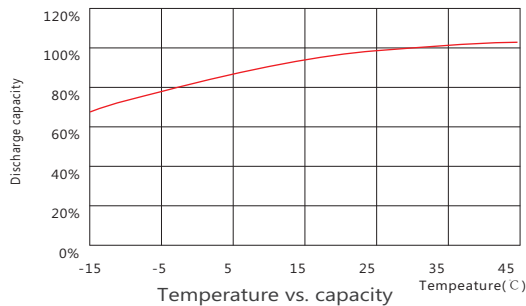
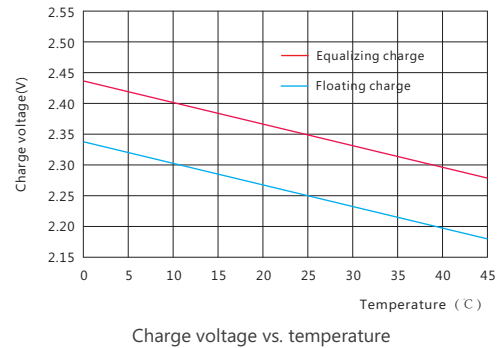
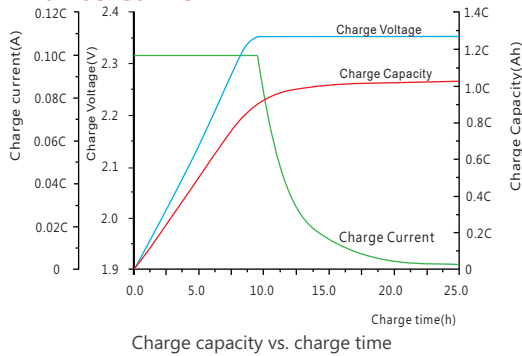
Battery Model	GFM-800H			
Design Life (years, 25°C)	18			
Capacity (Ah, 25°C)	10HR (80.0A, 1.80V)	5HR (136A, 1.80V)	3HR (200A, 1.80V)	1HR(440A, 1.75V)
	800	680	600	440
Dimensions (mm)	Length	Width	Height	Total Height
	289.5	180	367.5	377.5
Approx. Weight (kg)	43.2			
Reference Internal Resistance (mΩ)	0.36 ( fully charged @ 25°C)			
Maximum Discharge Current (A/5 Sec.)	2800			
Self-Discharge (25°C)	≤ 1.5% per month			
Charge Voltage (V/cell, 25°C)	Cycle use		Float use	
	2.35 (-3.5mV/°C/cell), max charge current: 120A		2.25 (-3.5mV/°C/cell)	
Short Circuit Current (A)	7000			

## Discharge Data

Constant Current Discharge Data (25°C, A)													
End Voltage (V/cell)	min			h									
	30	40	50	1	2	3	4	5	6	7	8	9	10
1.60	736	608	515	494	301	227	181	152	130	115	104	94	88
1.65	712	589	502	483	294	221	176	149	126	112	101	91	85
1.70	656	560	483	472	285	214	171	144	123	109	98	90	83
1.75	600	528	456	440	275	206	165	141	120	106	94	86	82
1.80	544	490	435	400	256	200	154	136	115	102	93	85	80

Constant Power Discharge Data (25°C, W/cell)													
End Voltage (V/cell)	min			h									
	30	40	50	1	2	3	4	5	6	7	8	9	10
1.60	1315	1091	934	892	557	419	338	278	245	219	198	184	166
1.65	1283	1069	920	880	547	413	333	275	242	216	195	181	165
1.70	1205	1024	896	872	534	403	325	270	240	211	192	178	163
1.75	1123	1000	864	826	522	390	314	262	232	208	187	173	160
1.80	1032	909	819	766	494	371	298	253	224	200	184	170	157

## Performance Curve



### Sacred Sun Power Sources Co., Ltd.

Add: No.1 Shengyang Road, Qufu 273100 PRC  
Tel: +86-537-4422313 Fax: +86-537-4411980  
Email: sales@sacredsunsun.cn

### Sacred Sun Hong Kong Co., Limited

Add: RM 19C Lockhart CTR 301-307 Lockhart RD Wan Chai, Hong Kong  
Email: admin.hk@sacredsunsun.hk

### Sacred Sun Asia Pacific Pte Ltd.

Add: 1 Ubi View, #04-12, Focus One, Singapore 408555  
Email: admin.sg@sacredsunsun.sg

### Sacred Sun Europe SARRL

Add: ZAE Fontaine, 33210 Fargues, France  
Email: admin.eu@sacredsunsun.eu

### Sacred Sun MEA FZE

Add: No. 311 office, Building LOB 14, JAFZA, Dubai, UAE  
Email: admin.ae@sacredsunsun.ae

