

OPzV Series

4 OPzV 200 2V200Ah

Sacred Sun OPzV series are valve regulated lead-acid cells which use a combination of tubular positive plate woven gauntlets, pasted negative plate design and gel electrolyte using advanced filling techniques in production which assure superior service life and excellent battery reliability. The battery has excellent cyclic performance and charge acceptance ability. It can be used in high-low temperature environment and poor grid condition.

Benefits

- Very long life according to EUROBAT Classification
- 1500+ cycles at 80% DOD
- High rate discharge performance
- High gas recombination efficiency
- Maximum charge efficiency
- GEL state electrolyte prevents leakage and layering
- Low resistance PVC or PF micro-porous separator ensures low self-discharge rate
- Optional racking offers easy installation (vertical or horizontal)

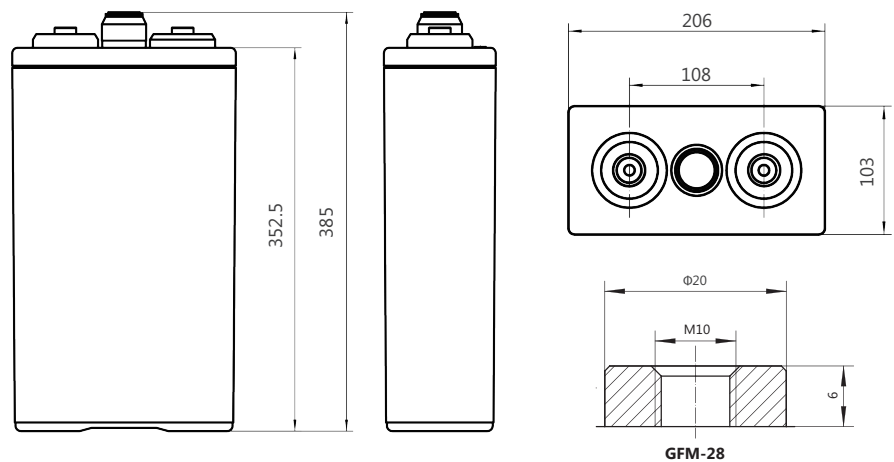
Drawing

Applications

- Telecommunications
- Energy storage system
- Hybrid power system
- Power system
- UPS

Standards

- IEC 60896-21/22
- IEC 61427
- DIN 43539-T5
- DIN 40742
- EUROBAT guide



Specifications

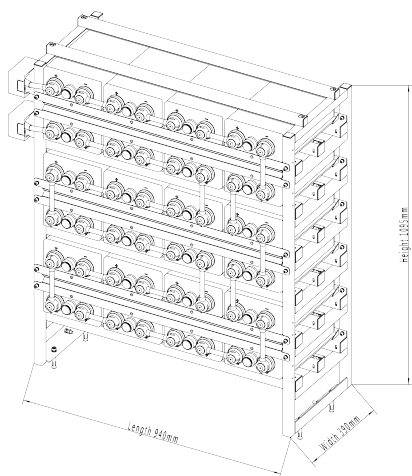
Battery Model	4 OPzV 200			
Design Life (years, 25°C)	20			
Capacity (Ah, 25°C)	10HR (20A, 1.80V)	5HR (34A, 1.80V)	3HR (50A, 1.80V)	1HR (100A, 1.80V)
	200	170	150	100
Dimensions (mm)	Length	Width	Height	Total Height
	103	206	352.5	385
Approx. Weight (kg)	17.4			
Reference Internal Resistance (mΩ)	0.65±15% (fully charged @ 25°C, Testing device: HIOKIBT3562)			
Maximum Discharge Current (A/3 Sec.)	1196			
Self-Discharge (25°C)	≤3% per month			
Charge Voltage (V/cell, 25°C)	Cycle use		Float use	
	2.35 (-3.5mV/°C/cell), max charge current: 40A		2.25 (-3.5mV/°C/cell)	
Short Circuit Current (A)	2690			

Discharge Data

Constant Current Discharge Data (25°C, A)																		
End Voltage (V/cell)	min					h												
	5	10	15	20	30	1	2	3	5	6	8	10	20	24	48	100	120	240
1.65	302	270	236	205	174	115	75.3	58.9	40.5	34.3	26.5	22.6	11.8	9.97	5.40	2.80	2.37	1.21
1.70	283	253	219	195	169	110	71.3	55.7	38.3	32.4	25.5	21.8	11.5	9.71	5.33	2.77	2.35	1.20
1.75	270	242	212	184	160	105	67.3	52.8	36.3	31.2	24.5	21.0	11.2	9.49	5.26	2.75	2.33	1.19
1.80	255	230	203	177	154	100	63.6	50.0	34.0	29.1	23.5	20.0	10.9	9.31	5.20	2.71	2.31	1.17
1.85	240	217	192	167	145	95	60	47.3	32.6	28.1	22.3	18.9	10.6	9.1	5.13	2.67	2.27	1.15

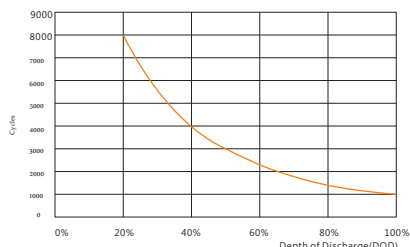
Constant Power Discharge Data (25°C, W/cell)																		
End Voltage (V/cell)	min					h												
	5	10	15	20	30	1	2	3	5	6	8	10	20	24	48	100	120	240
1.65	503	458	414	372	311	210.0	131.5	98.5	80.0	68.3	53.1	46.1	23.3	19.93	11.03	5.77	4.99	2.45
1.70	476	439	393	358	298	200.0	126.5	95.0	76.5	65.3	52.3	45.2	22.3	19.47	10.96	5.68	4.93	2.42
1.75	447	422	380	344	288	194.0	123.5	93.0	74.0	62.0	50.9	43.3	21.9	19.00	10.87	5.63	4.89	2.39
1.80	403	375	348	319	272	186.0	120.0	91.5	68.7	59.7	48.2	41.8	21.3	18.60	10.82	5.59	4.83	2.37
1.85	361	326	303	283	246	180.0	115.5	87.5	65.0	56.2	45.3	38.1	20.5	18.13	10.69	5.53	4.75	2.34

Rack Layout

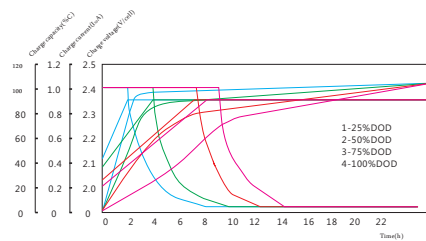


48V Standard Rack (Anti-seismic rack is optional)
 Rack material: powder-coated steel
 Height*width: 6*4/4*6 (optional)
 Ref. 4 OPzV 200 Rack (approx. weight: 505kg)

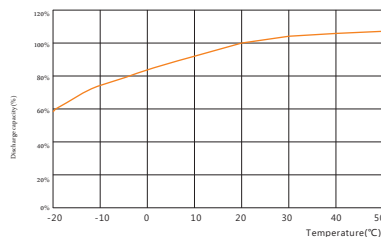
Performance Curve



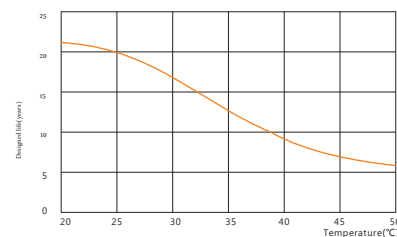
Cycle life vs. discharge depth



Charge vs. discharge depth



Capacity vs. temperature



Design life vs. temperature

Sacred Sun Power Sources Co., Ltd.

Add: No.1 Shengyang Road, Qufu 273100 PRC
 Tel: +86-537-4422313 Fax: +86-537-4411980
 Email: sales@sacredsunsun.cn

Sacred Sun Hong Kong Co., Limited

Add: RM 19C Lockhart CTR 301-307 Lockhart RD Wan Chai, Hong Kong
 Email: admin.hk@sacredsunsun.hk

Sacred Sun Asia Pacific Pte Ltd.

Add: 1 Ubi View, #04-12, Focus One, Singapore 408555
 Email: admin.sg@sacredsunsun.sg

Sacred Sun Europe SARL

Add: ZAE Fontaine, 33210 Fargues, France
 Email: admin.eu@sacredsunsun.eu

Sacred Sun MEA FZE

Add: No. 311 office, Building LOB 14, JAFZA, Dubai, UAE
 Email: admin.ae@sacredsunsun.ae

