

SAJ Series

SAJ-100 12V100Ah

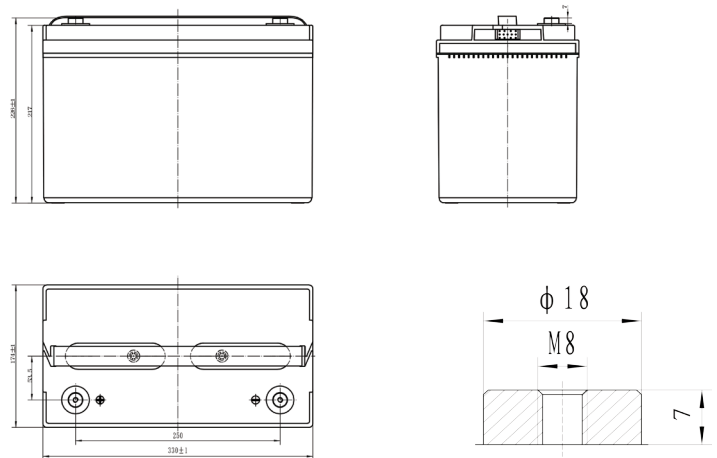


SAJ series battery uses AGM and gel mixed technology. It has good cycle life and large current discharge performance. It is a cost effective product and can be widely used in different photovoltaic, lighting, power supply and control systems..

Benefits

- General Purpose according to EUROBAT Classification
- Special AGM separator, adding gel electrolyte, shallow cycle life is long
- Maximum charge efficiency
- High gas recombination efficiency
- Low self-discharge rate
- Horizontal or Vertical installation
- Easy installation and handling

Drawing



SP-31

Applications

- Solar (Wind) energy system
- Solar communication/station
- Mobile storage system

Standards

- IEC 60896-21/22
- DIN 43539-T5
- EUROBAT guide

Specifications

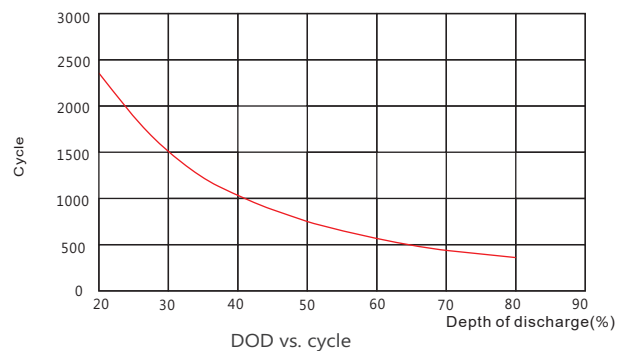
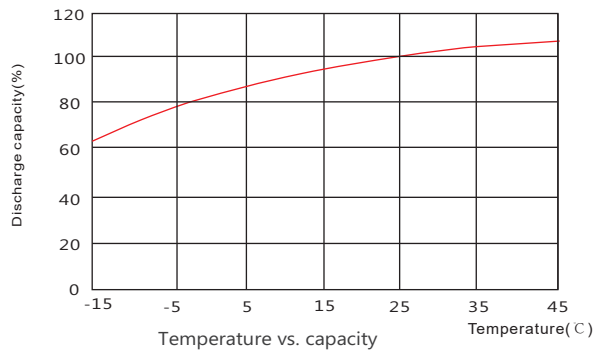
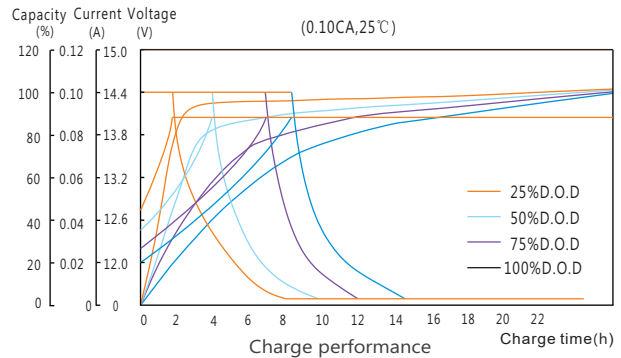
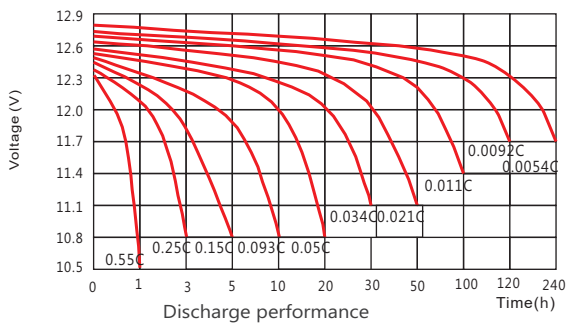
Battery Model	SAJ12-100			
Design Life (years, 25°C)	10			
Capacity (Ah, 25°C)	10HR (5.0A, 1.80V)	50HR (16.85A, 1.80V)	3HR (24.5A, 1.80V)	1HR (54.20A, 1.75V)
	100	84.25	73.5	54.2
Dimensions (mm)	Length	Width	Height	Total Height
	330	174	217	226
Approx. Weight (kg)	29.0			
Reference Internal Resistance (mΩ)	5.0±15% (full charged @ 25 °C ,testing device:HIOKI BT3562)			
Maximum Discharge Current (A/5 Sec.)	1000			
Self-Discharge (25°C)	≤ 1.5% per months			
Charge Voltage (V/cell, 25°C)	Cycle use		Float use	
	2.40(-3.5mV/°C/cell), max charge current: 20A		2.27(-3.5mV/°C/cell)	
Short Circuit Current (A)	2400			

Discharge Data

Constant Current Discharge Data (25°C, A)									
End Voltage (V/cell)	h								
	1	3	5	10	20	50	100	120	240
1.70	55.70	25.80	17.70	10.25	5.280	2.220	1.160	0.980	0.520
1.75	54.20	25.30	17.35	10.15	5.150	2.180	1.140	0.966	0.510
1.80	52.50	24.50	16.85	10.00	5.100	2.130	1.120	0.950	0.500
1.85	50.50	23.60	16.25	9.750	4.950	2.070	1.090	0.926	0.490
1.90	48.00	22.50	15.55	9.450	4.800	2.000	1.060	0.900	0.480

Constant Power Discharge Data (25°C, W/cell)									
End Voltage (V/cell)	h								
	1	3	5	10	20	50	100	120	240
1.70	100.0	45.10	32.00	18.10	9.800	4.100	2.350	2.020	1.030
1.75	97.00	44.88	31.40	17.70	9.600	3.920	2.270	1.950	1.010
1.80	94.00	44.15	30.50	17.20	9.500	3.890	2.190	1.890	0.980
1.85	91.00	43.75	29.50	16.50	9.300	3.790	2.070	1.810	0.920
1.90	88.50	42.97	29.00	16.30	9.100	3.720	2.000	1.730	0.890

Performance Curve



Sacred Sun Power Sources Co., Ltd.

Add: No.1 Shengyang Road, Qufu 273100 PRC
Tel: +86-537-4422313 Fax: +86-537-4411980
Email: sales@sacredsun.cn

Sacred Sun Hong Kong Co., Limited

Add: RM 19C Lockhart CTR 301-307 Lockhart RD Wan Chai, Hong Kong
Email: admin.hk@sacredsun.hk

Sacred Sun Asia Pacific Pte Ltd.

Add: 1 Ubi View, #04-12, Focus One, Singapore 408555
Email: admin.sg@sacredsun.sg

Sacred Sun Europe SARL

Add: ZAE Fontaine, 33210 Fargues, France
Email: admin.eu@sacredsun.eu

Sacred Sun MEA FZE

Add: No. 311 office, Building LOB 14, JAFZA, Dubai, UAE
Email: admin.ae@sacredsun.ae