

SP Series

SP12-150 12V150Ah

SP series VRLA battery uses AGM technology and high-purity raw materials. Its good floating back up and large current discharge performance makes it optimal and economical choice for UPS/EPS.

Benefits

- Long life according to EUROBAT Classification
- Maximum charge efficiency
- High gas recombination efficiency
- Low self-discharge rate
- Easy installation and handling
- Vertical installation

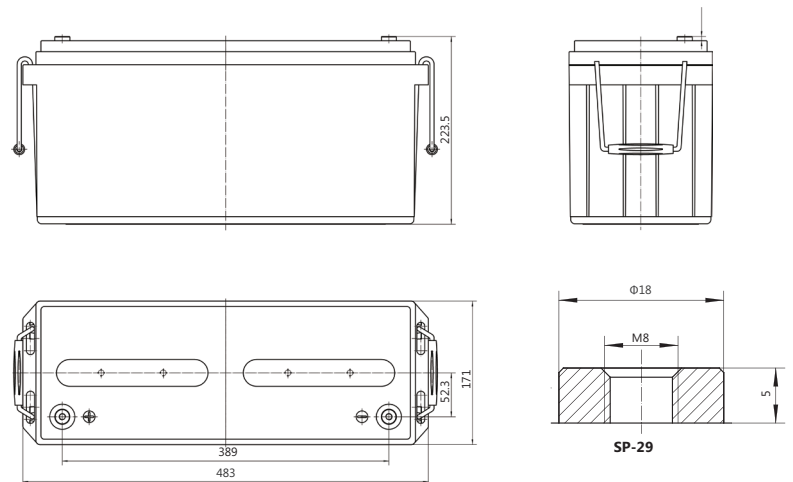
Applications

- UPS units
- Emergency power
- Starting generators
- EPS units

Standards

- IEC 61056-1/2
- JIS C8702-1/2
- EUROBAT guide

Drawing



Specifications

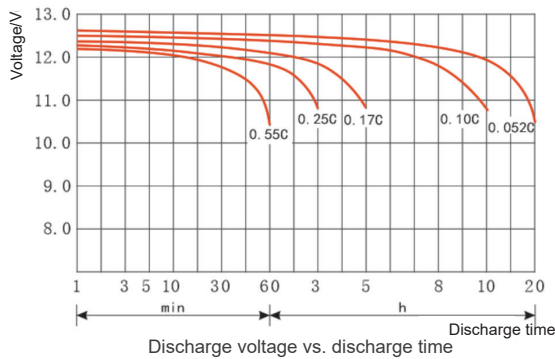
| | | | | |
|--------------------------------------|--|---------------------|-----------------------|-------------------|
| Battery Model | SP12-150 | | | |
| Design Life (years, 25°C) | 10 | | | |
| Capacity (Ah, 25°C) | 20HR (7.6A, 1.80V) | 10HR (15.0A, 1.80V) | 5HR (25.5A, 1.75V) | 1HR(84.0A, 1.70V) |
| | 152 | 150 | 127.5 | 84 |
| Dimensions (mm) | Length | Width | Height | Total Height |
| | 483 | 171 | 218.5 | 223.5 |
| Approx. Weight (kg) | 40.6 | | | |
| Reference Internal Resistance (mΩ) | 3.3±15%(full charged @ 25°C,testing device:HIOKIBT3562) | | | |
| Maximum Discharge Current (A/3 Sec.) | 1500 | | | |
| Self-Discharge (25°C) | ≤ 2% per month | | | |
| Charge Voltage (V/cell, 25°C) | Cycle use | | Float use | |
| | 2.40 (-3.5mV/°C/cell), max charge current: 45A | | 2.27 (-3.5mV/°C/cell) | |
| Short Circuit Current (A) | 3400(for reference only) | | | |

Discharge Data

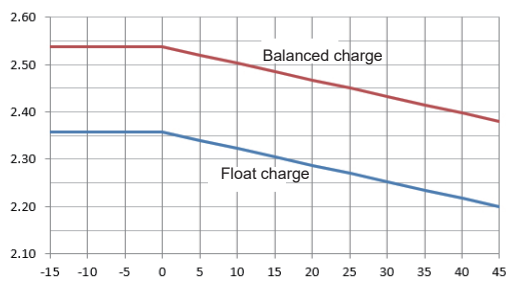
| Constant Current Discharge Data (25°C, A) | | | | | | | | | | | | |
|---|-------|-------|-------|-------|-------|------|------|-------|-------|-------|-------|------|
| End Voltage (V/cell) | min | | | | | h | | | | | | |
| | 10 | 15 | 20 | 30 | 45 | 1 | 1.5 | 2 | 3 | 5 | 10 | 20 |
| 1.60 | 296.0 | 235.0 | 177.0 | 140.0 | 110.0 | 88.4 | 65.8 | 52.10 | 40.80 | 26.30 | 15.50 | 7.85 |
| 1.65 | 286.0 | 229.0 | 172.0 | 136.0 | 106.0 | 86.4 | 64.3 | 50.90 | 40.30 | 26.10 | 15.40 | 7.80 |
| 1.67 | 283.0 | 226.0 | 169.3 | 133.3 | 104.7 | 85.4 | 63.6 | 50.35 | 39.90 | 26.04 | 15.36 | 7.78 |
| 1.70 | 278.0 | 222.0 | 166.0 | 130.0 | 103.0 | 84.0 | 62.6 | 49.60 | 39.50 | 25.90 | 15.30 | 7.75 |
| 1.75 | 268.0 | 213.0 | 161.0 | 126.0 | 99.6 | 82.5 | 61.0 | 48.60 | 38.60 | 25.50 | 15.20 | 7.70 |
| 1.80 | 250.0 | 200.0 | 152.0 | 121.0 | 95.7 | 76.0 | 59.5 | 47.30 | 37.50 | 24.90 | 15.00 | 7.60 |

| Constant Power Discharge Data (25°C, W/cell) | | | | | | | | | | | | |
|--|-------|-------|-------|-------|-------|-------|-------|--------|-------|-------|-------|-------|
| End Voltage (V/cell) | min | | | | | h | | | | | | |
| | 10 | 15 | 20 | 30 | 45 | 1 | 1.5 | 2 | 3 | 5 | 10 | 20 |
| 1.60 | 538.0 | 433.0 | 330.0 | 264.0 | 198.0 | 155.0 | 128.0 | 100.00 | 76.80 | 49.50 | 28.90 | 15.00 |
| 1.65 | 525.0 | 422.0 | 321.0 | 257.0 | 193.0 | 152.0 | 125.0 | 98.90 | 76.10 | 49.00 | 28.70 | 14.90 |
| 1.67 | 517.5 | 415.3 | 317.1 | 254.0 | 191.4 | 151.0 | 124.7 | 98.45 | 75.80 | 48.88 | 28.65 | 14.86 |
| 1.70 | 508.0 | 407.0 | 312.0 | 250.0 | 189.0 | 150.0 | 124.0 | 97.60 | 75.40 | 48.60 | 28.60 | 14.80 |
| 1.75 | 484.0 | 392.0 | 301.0 | 242.0 | 185.0 | 145.0 | 122.0 | 96.00 | 74.70 | 48.10 | 28.50 | 14.70 |
| 1.80 | 433.0 | 372.0 | 288.0 | 234.0 | 180.0 | 140.0 | 118.0 | 94.60 | 73.60 | 47.50 | 27.20 | 14.50 |

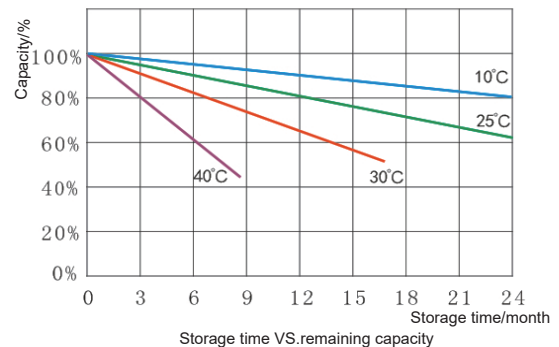
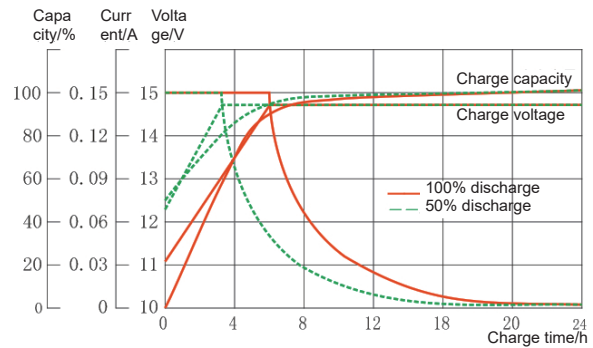
Performance Curve



Discharge voltage vs. discharge time



Charge voltage vs. temperature



Storage time VS. remaining capacity

Sacred Sun Power Sources Co., Ltd.

Add: No.1 Shengyang Road, Qufu 273100 PRC
 Tel: +86-537-4422313 Fax: +86-537-4411980
 Email: sales@sacredsun.cn

Sacred Sun Hong Kong Co., Limited

Add: RM 19C Lockhart CTR 301-307 Lockhart RD Wan Chai, Hong Kong
 Email: admin.hk@sacredsun.hk

Sacred Sun Asia Pacific Pte Ltd.

Add: 1 Ubi View, #04-12, Focus One, Singapore 408555
 Email: admin.sg@sacredsun.sg

Sacred Sun Europe SARRL

Add: ZAE Fontaine, 33210 Fargues, France
 Email: admin.eu@sacredsun.eu

Sacred Sun MEA FZE

Add: No. 311 office, Building LOB 14, JAFZA, Dubai, UAE
 Email: admin.ae@sacredsun.ae

